



# KT-EMRG-LED-12-1200 /A

## CONSTANT WATTAGE LED EMERGENCY BACK-UP



RoHS  
Compliant

5 YEAR  
WARRANTY

### DESCRIPTION

LED Emergency Back-Up Driver | 12W Output | 120-277V Input

<b>DRIVER TYPE:</b> Constant Wattage LED Emergency
<b>MAX. OUTPUT POWER:</b> 12W
<b>INPUT VOLTAGE:</b> 120-277Vac ±10%
<b>OUTPUT VOLTAGE:</b> 20~54 Vdc
<b>OUTPUT CURRENT:</b> 550mA-245mA
<b>WARRANTY:</b> 5 Years



### PRODUCT FEATURES

- Drives LED Loads at 12W (Nominal) for a Minimum of 90 Minutes
- Meets FCC Part 15 (Class B) Consumer Limits
- Short Circuit Overload and Open Load Protection
- Type 1 Outdoor, Suitable for Dry and Damp Locations
- Evaluated to UL 924 Standards
- Operating Temperature: 32°F/0°C to 122°F/50°C
- Input Frequency: 50/60 Hz
- Test Switch/ Charging Indicator Light
- Battery Pack with Quick Connect; NiCd or NiMH
- Battery Capacity: 3000mAh
- Suitable for Enclosed Fixtures\*
- 1A Pass Thru Current
- Listed for field or factory installation - UL 924 and CSA C22.2 No.141 Emergency Lighting Compliant

\* Temperature Dependent: The operating temperature should not exceed 122°F / 50°C.

## SPECIFICATIONS

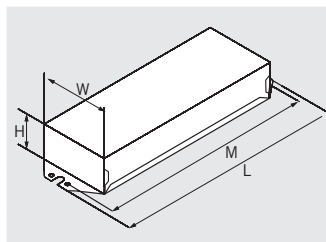
### ELECTRICAL SPECIFICATIONS

Family	INPUT CHARACTERISTICS			OUTPUT CHARACTERISTICS		
	Input Voltage	Power Factor	Max. Current	Max. Output Power	Rated Output Current	Output Voltage
12W	120-277Vac	≥0.5	0.051A @ 120V	12W	550mA-245mA	20~54Vdc

Emergency pack designed to deliver 12W to a constant current LED load. Approximate output is 1200 lumens assuming a nominal minimum efficacy of 100lm/W.

### MECHANICAL SPECIFICATIONS

#### CASE DIMENSIONS



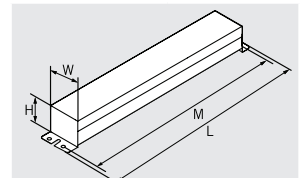
<b>LENGTH</b>	6.46"
<b>WIDTH</b>	1.37"
<b>HEIGHT</b>	1.00"
<b>MOUNTING</b>	6.00"
<b>CASE STYLE</b>	L7
<b>CASE MATERIAL</b>	METAL

#### STANDARD LEAD LENGTHS\*

<b>WHITE</b>	12" (18 AWG)
<b>BLACK</b>	12" (18 AWG)
<b>WHITE/BLACK</b>	12" (18 AWG)
<b>RED</b>	24" (18 AWG)
<b>BLUE</b>	24" (18 AWG)
<b>BROWN</b>	24" (20 AWG)
<b>RED, BLUE, GRAY (Test Button)</b>	24" (22 AWG)

\*Consult Keystone for special lead length requirements.

#### BATTERY SIZE



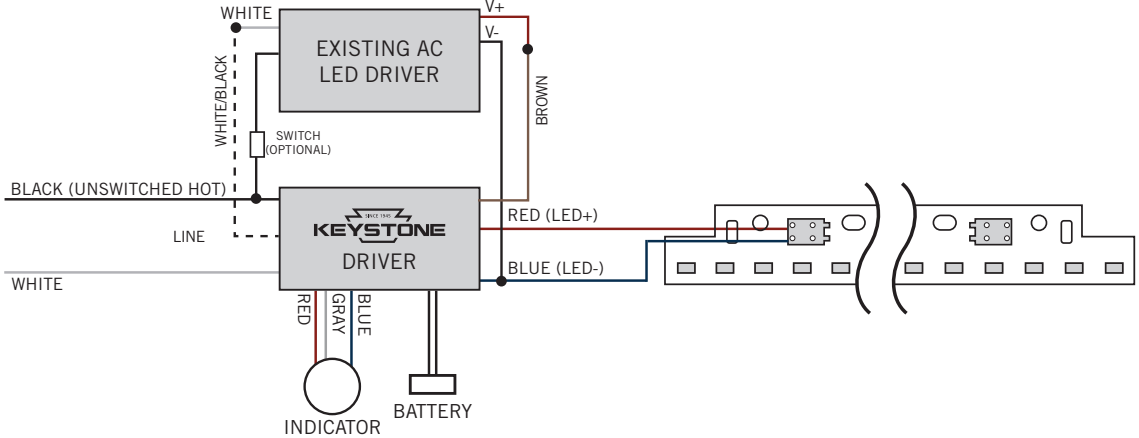
<b>LENGTH</b>	9.45"
<b>WIDTH</b>	2.23"
<b>HEIGHT</b>	1.02"
<b>MOUNTING</b>	8.91"



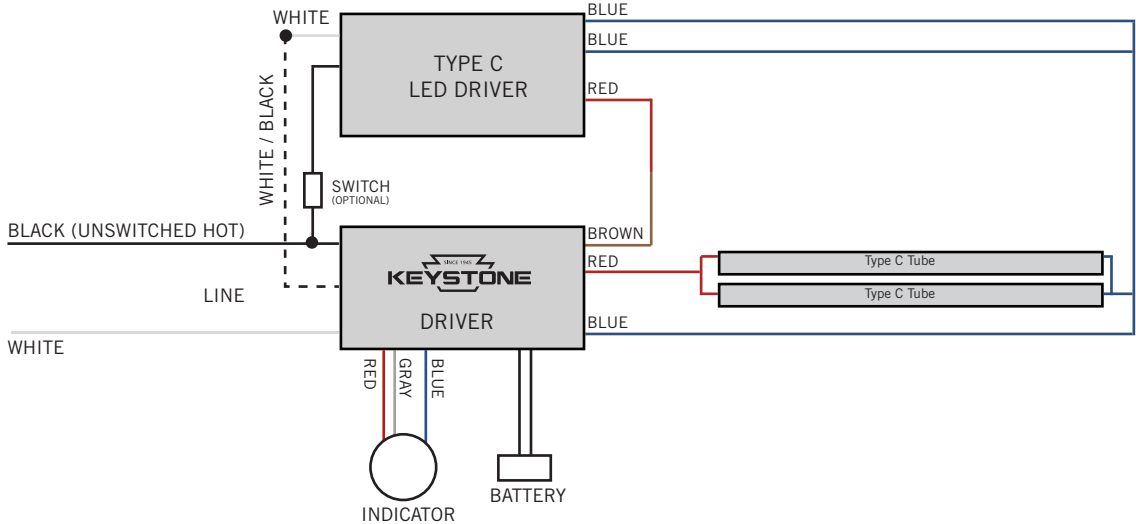
# KT-EMRG-LED-12-1200 /A

## CONSTANT WATTAGE LED EMERGENCY BACK-UP

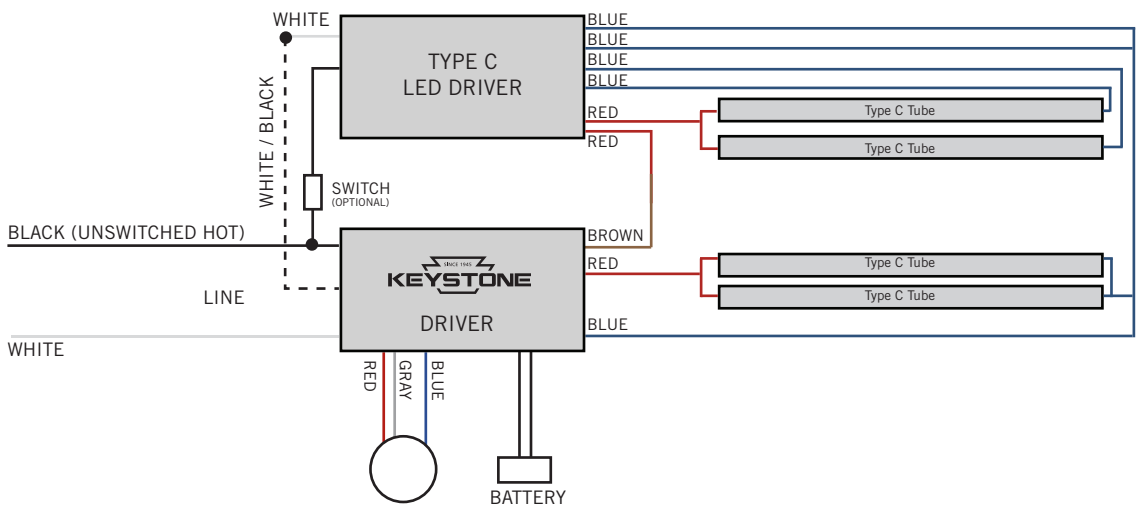
### STANDARD LED FIXTURE WIRING DIAGRAM



### 2-LAMP TYPE C WIRING DIAGRAM



### 4-LAMP TYPE C WIRING DIAGRAM





# KT-EMRG-LED-12-1200 /A

CONSTANT WATTAGE LED EMERGENCY BACK-UP

## ORDERING INFORMATION

ORDER CODE	DESCRIPTION	PACKAGING STYLE	PACK QTY.	ITEM STATUS
KT-EMRG-LED-12-1200 /A-IP	LED Emergency Driver with Battery	Individually Packaged	1	Coming Soon

## CATALOG NUMBER BREAKDOWN

# KT-EMRG-LED-12-1200 /A

