



KT-EMRG-LED-12C-1200-EN /DF

CONSTANT WATTAGE LED EMERGENCY BACK-UP



DESCRIPTION

LED Emergency Back-Up Driver | Dual Flex Conduit | 12W Output | 120-277V Input

DRIVER TYPE: Constant Wattage LED Emergency

MAX. OUTPUT POWER: 12W

INPUT VOLTAGE: 120-277Vac $\pm 10\%$

OUTPUT VOLTAGE: 20~54 Vdc

OUTPUT CURRENT: 600mA-250mA

WARRANTY: 5 Years



PRODUCT FEATURES

- Drives LED Loads at 12W (Nominal) for a Minimum of 90 Minutes
- Meets FCC Part 15 (Class B) Consumer Limits
- Short Circuit Overload and Open Load Protection
- Type 1 Outdoor, Suitable for Dry and Damp Locations
- Evaluated to UL 924 Standards
- Operating Temperature: 32°F/0°C to 131°F/ 55°C
- Input Frequency: 50/60 Hz
- Test Switch/ Charging Indicator Light and Wall Plate Included
- LiFePO4 Battery, 3 Cells, 9.6Vdc
- Dual Flex Conduit Fits into 1/2" Knockouts
- Complies with CEC Efficiency Standards
- Class 2 Output
- Listed for field or factory installation - UL 924 and CSA C22.2 No. 141 Emergency Lighting Compliant

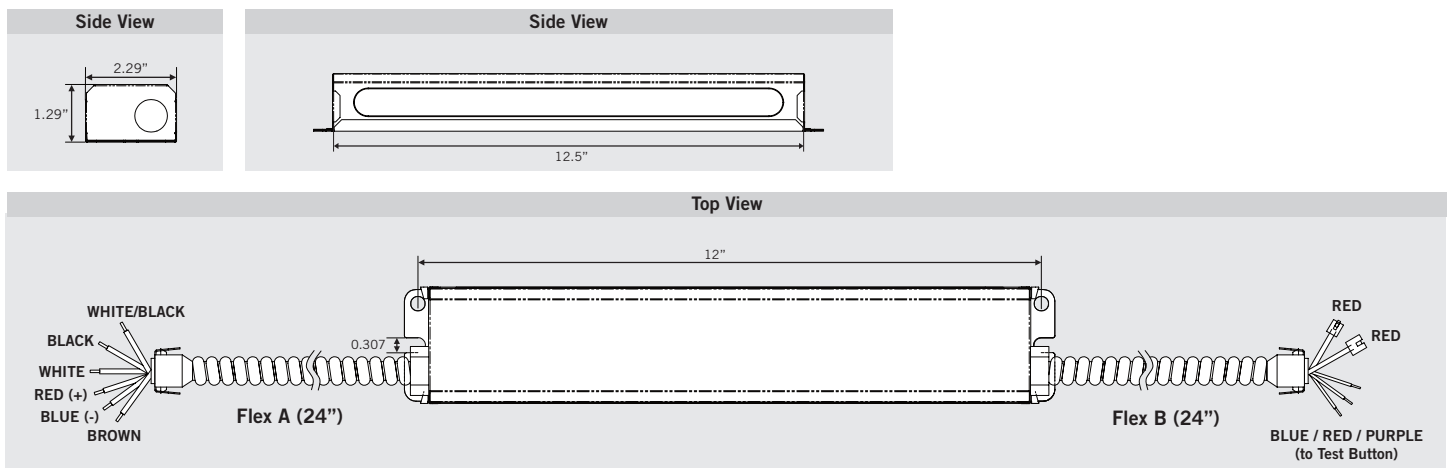
SPECIFICATIONS

ELECTRICAL SPECIFICATIONS

Family	INPUT CHARACTERISTICS			OUTPUT CHARACTERISTICS		
	Input Voltage	Power Factor	Max. Current	Max. Output Power	Rated Output Current	Output Voltage
12W	120-277Vac	≥ 0.5	.050A @ 120V	12W	600mA-250mA	20~54Vdc

Emergency pack designed to deliver 12W to a constant current LED load. Approximate output is 1200 lumens assuming a nominal minimum efficacy of 100lm/W. Note: Output power will drop slightly when the output voltage is ≥ 49 Vdc.

PHYSICAL SPECIFICATIONS

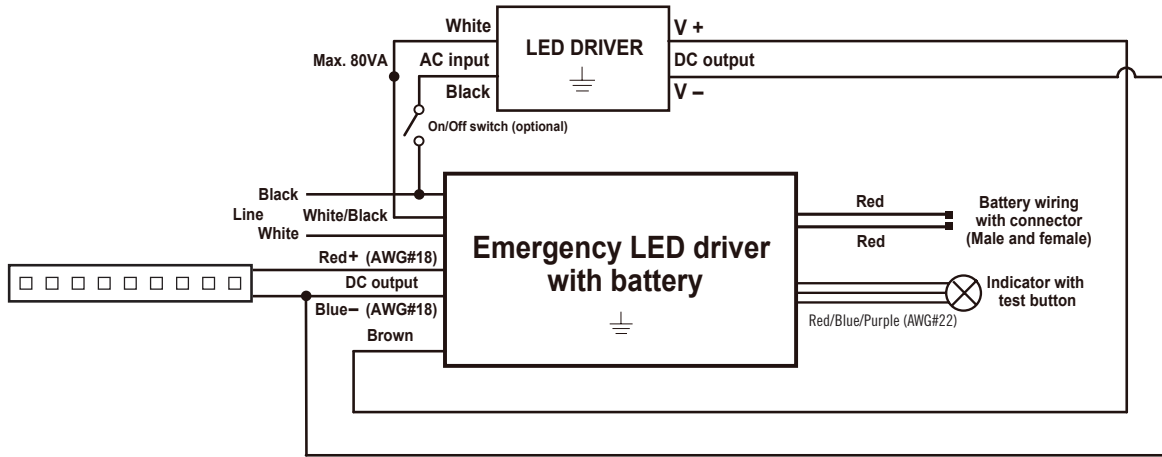




KT-EMRG-LED-12C-1200-EN /DF

CONSTANT WATTAGE LED EMERGENCY BACK-UP

WIRING DIAGRAM



ORDERING INFORMATION

ORDER CODE	DESCRIPTION	PACKAGING STYLE	PACK QTY.	ITEM STATUS
KT-EMRG-LED-12C-1200-EN /DF-IP	1-Piece LED Emergency Back Up with Dual Flex Conduit	Individually Packaged	1	Active

ALTERNATIVE OPTIONS

ORDER CODE	DESCRIPTION	PACKAGING STYLE	PACK QTY.	ITEM STATUS
KT-EMRG-LED-12C-1200-EN /RJSF-IP	1-Piece LED Emergency Back Up with Rear Junction Leads and Single Flex Conduit (Flex B)	Individually Packaged	1	Active
KT-EMRG-LED-12C-1200-EN-IP	1-Piece LED Emergency Back Up with Standard Wire Leads	Individually Packaged	1	Active

CATALOG NUMBER BREAKDOWN

KT-EMRG-LED-12C-1200-EN /DF

