



# KT-EMRG-LED-5-500-EN /DF

## CONSTANT WATTAGE LED EMERGENCY BACK-UP



### DESCRIPTION

LED Emergency Back-Up Driver | Dual Flex Conduit | 5W Output | 120-277V Input

**DRIVER TYPE:** Constant Wattage LED Emergency

**MAX. OUTPUT POWER:** 5W

**INPUT VOLTAGE:** 120-277Vac  $\pm 10\%$

**OUTPUT VOLTAGE:** 20~54Vdc

**OUTPUT CURRENT:** 250mA-100mA

**WARRANTY:** 5 Years



### PRODUCT FEATURES

- Drives LED Loads at 5W (Nominal) for a Minimum of 90 Minutes
- Meets FCC Part 15 (Class B) Consumer Limits
- Short Circuit Overload and Open Load Protection
- Type 1 Outdoor, Suitable for Dry and Damp Locations
- Evaluated to UL 924 Standards
- Operating Temperature: 32°F/0°C to 122°F/50°C
- Input Frequency: 50/60 Hz
- Test Switch/ Charging Indicator Light and Wall Plate Included
- Battery Pack with Quick Connect; NiCd
- Battery Capacity: 1200mAh
- Dual Flex Conduit Fits into 1/2" Knockouts
- Listed for field or factory installation - UL 924 and CSA C22.2 No. 141 Emergency Lighting Compliant

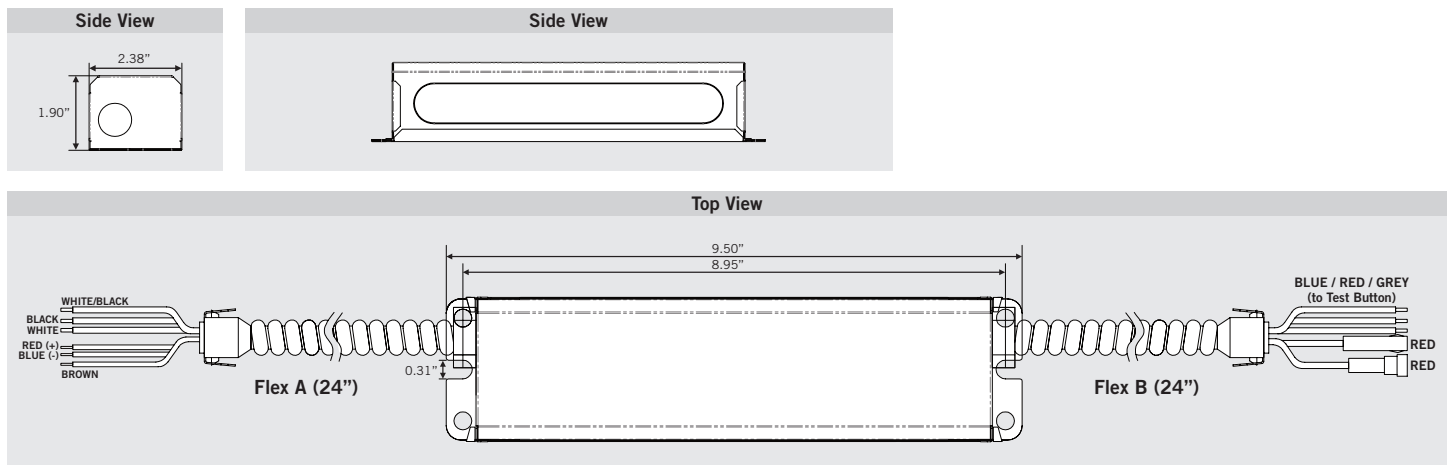
## SPECIFICATIONS

### ELECTRICAL SPECIFICATIONS

Family	INPUT CHARACTERISTICS			OUTPUT CHARACTERISTICS		
	Input Voltage	Power Factor	Max. Current	Max. Output Power	Rated Output Current	Output Voltage
5W	120-277Vac	$\geq 0.5$	0.051A @ 120V	5W	250mA-100mA	20~54Vdc

Emergency pack designed to deliver 5W to a constant current LED load. Approximate output is 500 lumens assuming a nominal minimum efficacy of 100lm/W.

### PHYSICAL SPECIFICATIONS

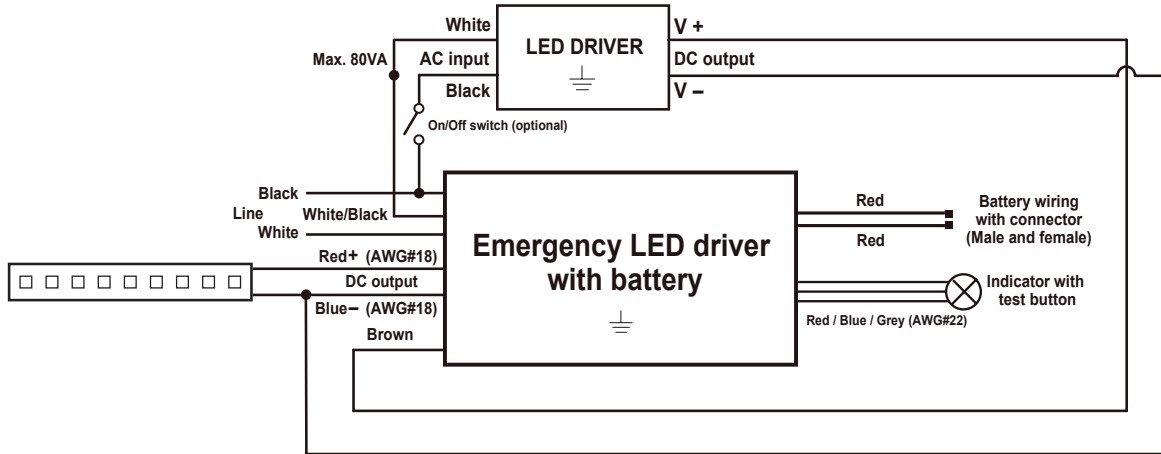




# KT-EMRG-LED-5-500-EN /DF

## CONSTANT WATTAGE LED EMERGENCY BACK-UP

### WIRING DIAGRAM



### ORDERING INFORMATION

ORDER CODE	DESCRIPTION	PACKAGING STYLE	PACK QTY.	ITEM STATUS
KT-EMRG-LED-5-500-EN /DF-IP	1-Piece LED Emergency Back Up with Dual Flex Conduit	Individually Packaged	1	Active

### ALTERNATIVE OPTIONS

ORDER CODE	DESCRIPTION	PACKAGING STYLE	PACK QTY.	ITEM STATUS
KT-EMRG-LED-5-500-EN /RJSF-IP	1-Piece LED Emergency Back Up with Rear Junction Leads and Single Flex Conduit (Flex B)	Individually Packaged	1	Active
KT-EMRG-LED-5-500-EN-IP	1-Piece LED Emergency Back Up with Standard Wire Leads	Individually Packaged	1	Active

### CATALOG NUMBER BREAKDOWN

# KT-EMRG-LED-5-500-EN /DF

