



KT-EMRG-LED-5-500-EN /RJSF

CONSTANT WATTAGE LED EMERGENCY BACK-UP



DESCRIPTION

LED Emergency Back-Up Driver | Rear Junction Leads and Single Flex Conduit | 5W Output

DRIVER TYPE: Constant Wattage LED Emergency
MAX. OUTPUT POWER: 5W
INPUT VOLTAGE: 120-277Vac ±10%
OUTPUT VOLTAGE: 20~54Vdc
OUTPUT CURRENT: 250mA-100mA
WARRANTY: 5 Years



PRODUCT FEATURES

- Drives LED Loads at 5W (Nominal) for a Minimum of 90 Minutes
- Meets FCC Part 15 (Class B) Consumer Limits
- Short Circuit Overload and Open Load Protection
- Type 1 Outdoor, Suitable for Dry and Damp Locations
- Evaluated to UL 924 Standards
- Operating Temperature: 32°F/0°C to 122°F/50°C
- Input Frequency: 50/60 Hz
- Test Switch/ Charging Indicator Light and Wall Plate Included
- Battery Pack with Quick Connect; NiCd
- Battery Capacity: 1200mAh
- Dual Flex Conduit Fits into 1/2" Knockouts
- Listed for field or factory installation - UL 924 and CSA C22.2 No. 141 Emergency Lighting Compliant

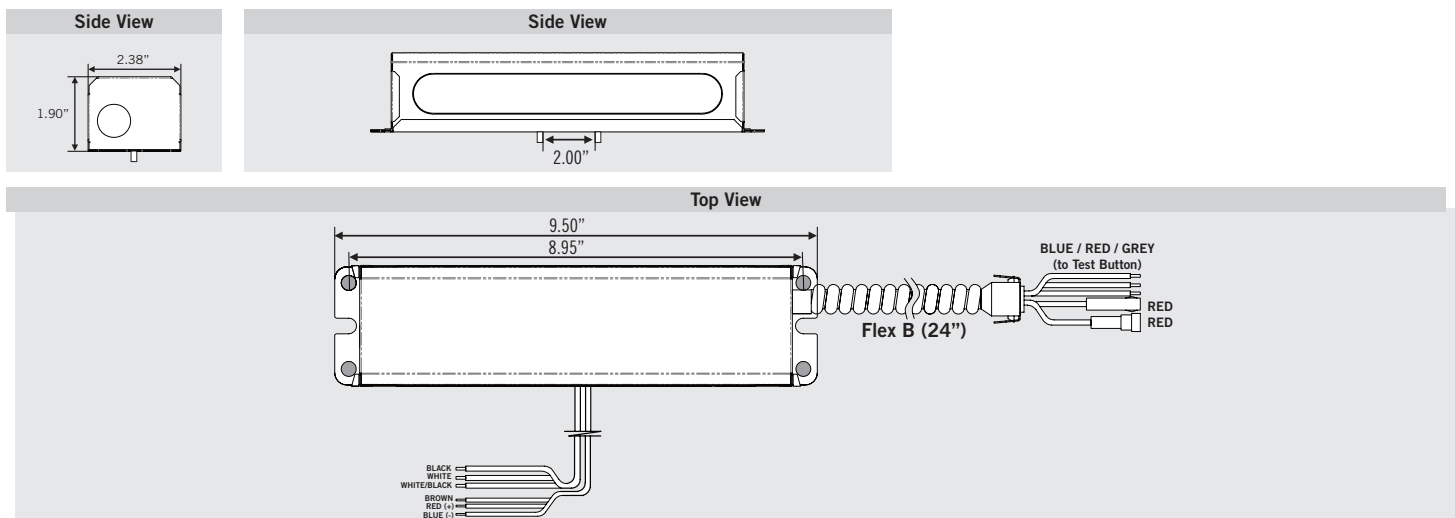
SPECIFICATIONS

ELECTRICAL SPECIFICATIONS

Family	INPUT CHARACTERISTICS			OUTPUT CHARACTERISTICS		
	Input Voltage	Power Factor	Max. Current	Max. Output Power	Rated Output Current	Output Voltage
5W	120-277Vac	≥0.5	0.051A @ 120V	5W	250mA-100mA	20~54Vdc

Emergency pack designed to deliver 5W to a constant current LED load. Approximate output is 500 lumens assuming a nominal minimum efficacy of 100lm/W.

PHYSICAL SPECIFICATIONS

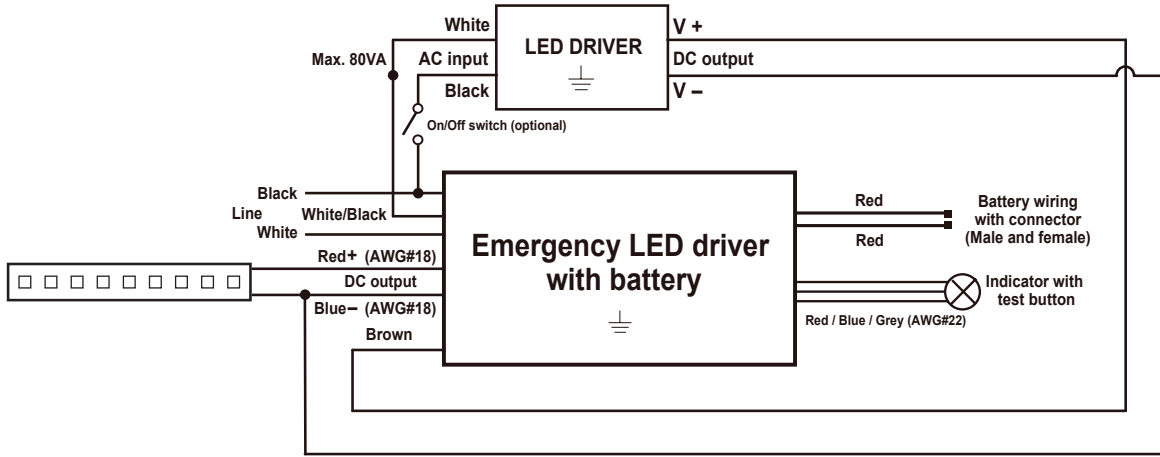




KT-EMRG-LED-5-500-EN /RJSF

CONSTANT WATTAGE LED EMERGENCY BACK-UP

WIRING DIAGRAM



ORDERING INFORMATION

ORDER CODE	DESCRIPTION	PACKAGING STYLE	PACK QTY.	ITEM STATUS
KT-EMRG-LED-5-500-EN /RJSF-IP	1-Piece LED Emergency Back Up with Rear Junction Leads and Single Flex Conduit (Flex B)	Individually Packaged	1	Active

CATALOG NUMBER BREAKDOWN

KT-EMRG-LED-5-500-EN /RJSF

