



KT-EMRG-LED-5-500 /A

CONSTANT WATTAGE LED EMERGENCY BACK-UP



RoHS
Compliant

5 YEAR
WARRANTY

DESCRIPTION

LED Emergency Back-Up Driver | 5W Output | 120-277V Input

DRIVER TYPE: Constant Wattage LED Emergency
MAX. OUTPUT POWER: 5W
INPUT VOLTAGE: 120-277Vac $\pm 10\%$
OUTPUT VOLTAGE: 20~54Vdc
OUTPUT CURRENT: 250mA-100mA
WARRANTY: 5 Years



PRODUCT FEATURES

- Drives LED Loads at 5W (Nominal) for a Minimum of 90 Minutes
- Meets FCC Part 15 (Class B) Consumer Limits
- Short Circuit Overload and Open Load Protection
- Type 1 Outdoor, Suitable for Dry and Damp Locations
- Evaluated to UL 924 Standards
- Operating Temperature: 32°F/0°C to 122°F/50°C
- Listed for field or factory installation - UL 924 and CSA C22.2 No. 141 Emergency Lighting Compliant
- Input Frequency: 50/60 Hz
- Test Switch/ Charging Indicator Light
- Battery Pack with Quick Connect; NiCd
- Battery Capacity: 1200mAh
- Suitable for Enclosed Fixtures*
- 1A Pass Thru Current

* Temperature Dependent: The operating temperature should not exceed 122°F / 50°C.

SPECIFICATIONS

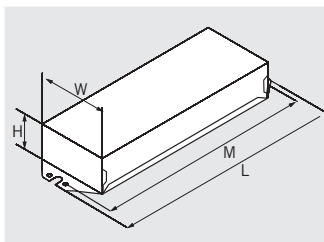
ELECTRICAL SPECIFICATIONS

Family	INPUT CHARACTERISTICS			OUTPUT CHARACTERISTICS		
	Input Voltage	Power Factor	Max. Current	Max. Output Power	Rated Output Current	Output Voltage
5W	120-277Vac	≥ 0.5	0.051A @ 120V	5W	250mA-100mA	20~54Vdc

Emergency pack designed to deliver 5W to a constant current LED load. Approximate output is 500 lumens assuming a nominal minimum efficacy of 100lm/W.

MECHANICAL SPECIFICATIONS

CASE DIMENSIONS



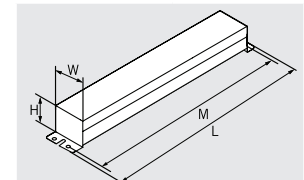
LENGTH	6.46"
WIDTH	1.37"
HEIGHT	1.00"
MOUNTING	6.00"
CASE STYLE	L7
CASE MATERIAL	METAL

STANDARD LEAD LENGTHS*

WHITE	12" (18 AWG)
BLACK	12" (18 AWG)
WHITE/BLACK	12" (18 AWG)
RED	24" (18 AWG)
BLUE	24" (18 AWG)
BROWN	24" (20 AWG)
RED, BLUE, GRAY (Test Button)	24" (22 AWG)

*Consult Keystone for special lead length requirements.

BATTERY SIZE



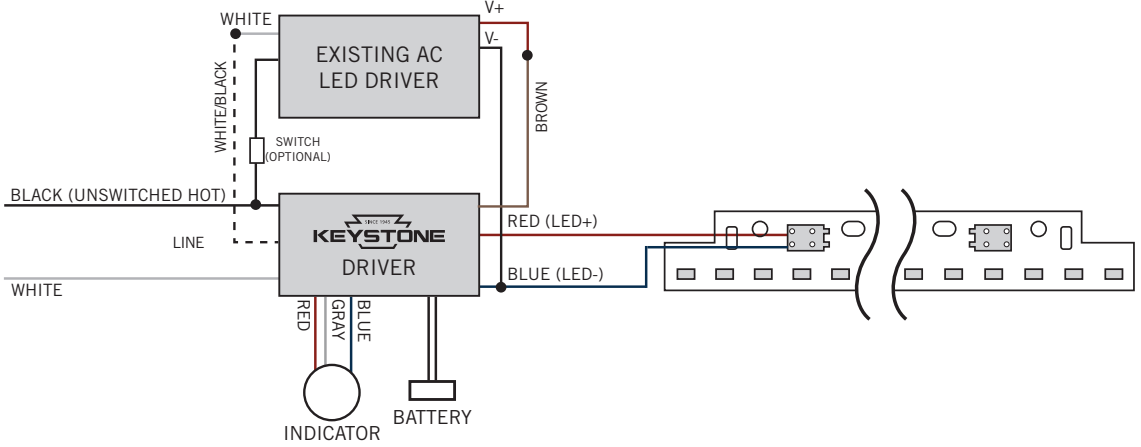
LENGTH	8.10"
WIDTH	1.97"
HEIGHT	0.98"
MOUNTING	7.57"



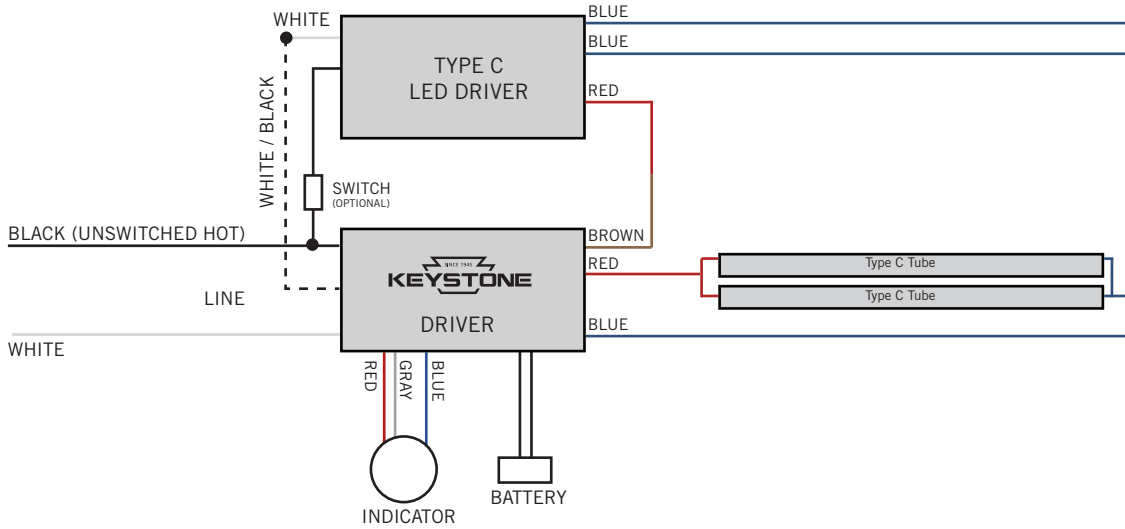
KT-EMRG-LED-5-500 /A

CONSTANT WATTAGE LED EMERGENCY BACK-UP

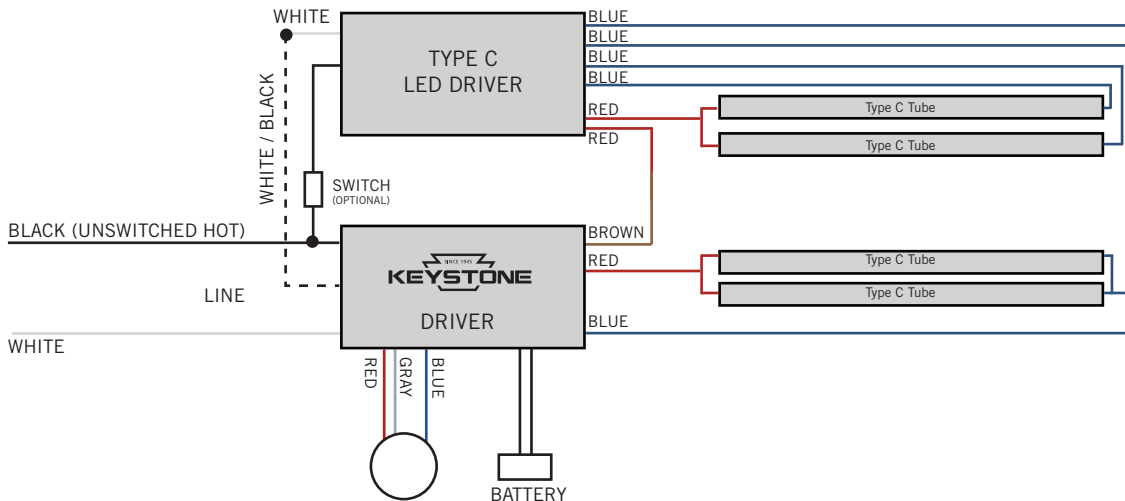
STANDARD LED FIXTURE WIRING DIAGRAM



2-LAMP TYPE C WIRING DIAGRAM



4-LAMP TYPE C WIRING DIAGRAM





KT-EMRG-LED-5-500 /A

CONSTANT WATTAGE LED EMERGENCY BACK-UP

ORDERING INFORMATION

ORDER CODE	DESCRIPTION	PACKAGING STYLE	PACK QTY.	ITEM STATUS
KT-EMRG-LED-5-500 /A-IP	LED Emergency Driver with Battery	Individually Packaged	1	Active

CATALOG NUMBER BREAKDOWN

KT-EMRG-LED-5-500 /A

