



# KT-LED112P-EV-8xx-X

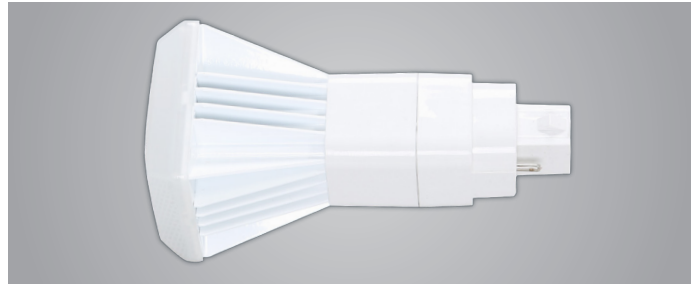
## 2-PIN LED LAMP

### DESCRIPTION

11W 2-Pin LED Lamp | 2700K, 3000K, 4000K |  $\geq 83$  CRI | Magnetic Ballast and Line Voltage Compatible



<b>LAMP TYPE:</b> Compact
<b>BULB TYPE:</b> 2-Pin LED
<b>BASE TYPE:</b> G24d
<b>WATTAGE:</b> 11W
<b>COLOR TEMPERATURE:</b> 2700K, 3000K, 3500K, 4000K, 5000K
<b>COLOR RENDERING INDEX (CRI):</b> $\geq 83$
<b>WARRANTY:</b> 5 Years



### PRODUCT FEATURES

- Plug & Play Application: Replaces 18W/26W G24d CFL Lamps
- Bypass Ballast Application: Replaces 26W/32W/42W G24d & G24q CFL Lamps
- 50,000+ Hour Lifetime
- Approximately 50% More Energy Efficient than Traditional CFL Lamps
- Environmentally Friendly: No Mercury Used
- Instant Startup
- Frosted Lens Eliminates Pixelation
- UL Listed & UL Classified
- Operating Temperature: -20°C/-4°F to 45°C/113°F
- Up to 5x Longer Life than Traditional CFL Lamps

### OPERATING SPECIFICATIONS

#### PLUG & PLAY ELECTRICAL CHARACTERISTICS

Input Voltage	Lamp Wattage	Power Factor	System Wattage
Ballast Dependent	11W	>0.9	13W

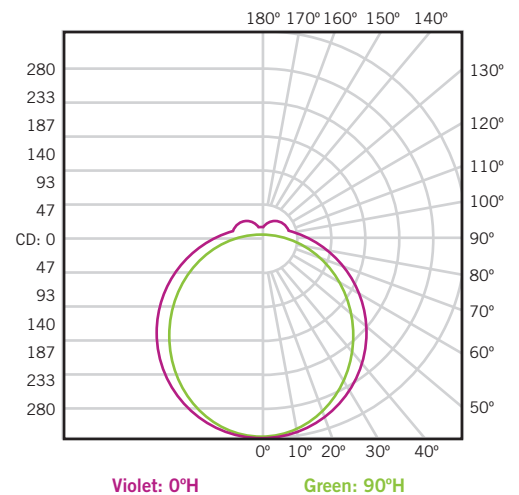
#### BYPASS BALLAST ELECTRICAL CHARACTERISTICS

Input Voltage	Lamp Wattage	Power Factor	System Wattage
120-277V	11W	>0.9	11W

#### PHOTOMETRIC CHARACTERISTICS

Color Temperature (CCT)	2700K	3000K	35000K	4000K	50000K
<b>Luminous Flux</b>	1000 lm	1000 lm	1000 lm	1050 lm	1050 lm
<b>Color Rendering Index (CRI)</b>	$\geq 83$	$\geq 83$	$\geq 83$	$\geq 83$	$\geq 83$
<b>Bare Lamp Efficacy</b>	91 lm/W	91 lm/W	91 lm/W	95 lm/W	95 lm/W
<b>Beam Angle</b>	>120°	>120°	>120°	>120°	>120°
<b>LED Quantity</b>	21	21	21	21	21

#### POLAR CANDELA DISTRIBUTION



#### RATED LIFE

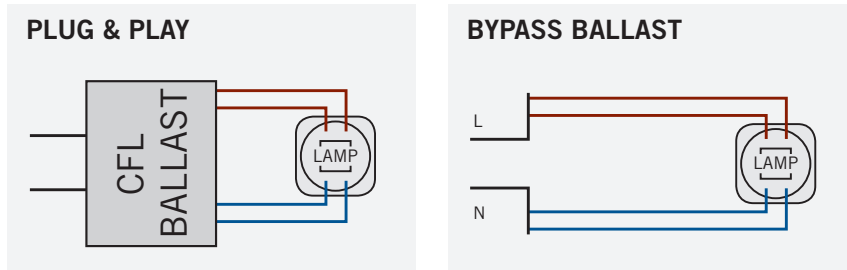
<b>L70 (Hours)</b>	50,000
--------------------	--------



# KT-LED112P-EV-8xx-X

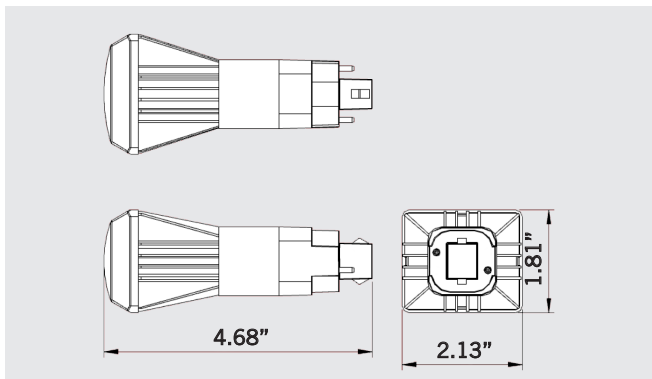
## 2-PIN LED LAMP

### WIRING



### PHYSICAL CHARACTERISTICS

#### LAMP DIMENSIONS



### ORDERING INFORMATION

ORDER CODE	PACKAGING STYLE	PACK QTY.	ITEM STATUS
KT-LED112P-EV-8xx-X	Distributor Pack	50	Quick Ship

### CATALOG NUMBER BREAKDOWN

# KT-LED112P-EV-8xx-X

