



# KT-LED12T8-48G-BL-D

## T8 LED BLACK LIGHT LAMP

### DESCRIPTION

12W T8 LED | 5000K | >83 CRI | High-Efficiency | Single- or Double-ended Wiring



RoHS Compliant

5 YEAR WARRANTY

<b>LAMP TYPE:</b> Linear
<b>BULB TYPE:</b> T8 LED
<b>BASE TYPE:</b> G13 (Medium Bi-Pin)
<b>WATTAGE:</b> 12W
<b>WAVELENGTH:</b> 365nm



### PRODUCT FEATURES

- Replacement for conventional ultraviolet lamp
- BLB glass minimizes visible UV light
- 20,000+ hour lifetime
- Approximately 40% more energy efficient than standard F40T8 BLB lamps
- Environmentally friendly: No mercury used
- Operating temperature: -20°C/-4°F to 45°C/113°F
- Integral driver (isolated) eliminates the need for external driver or ballast
- Instant startup

### OPERATING SPECIFICATIONS

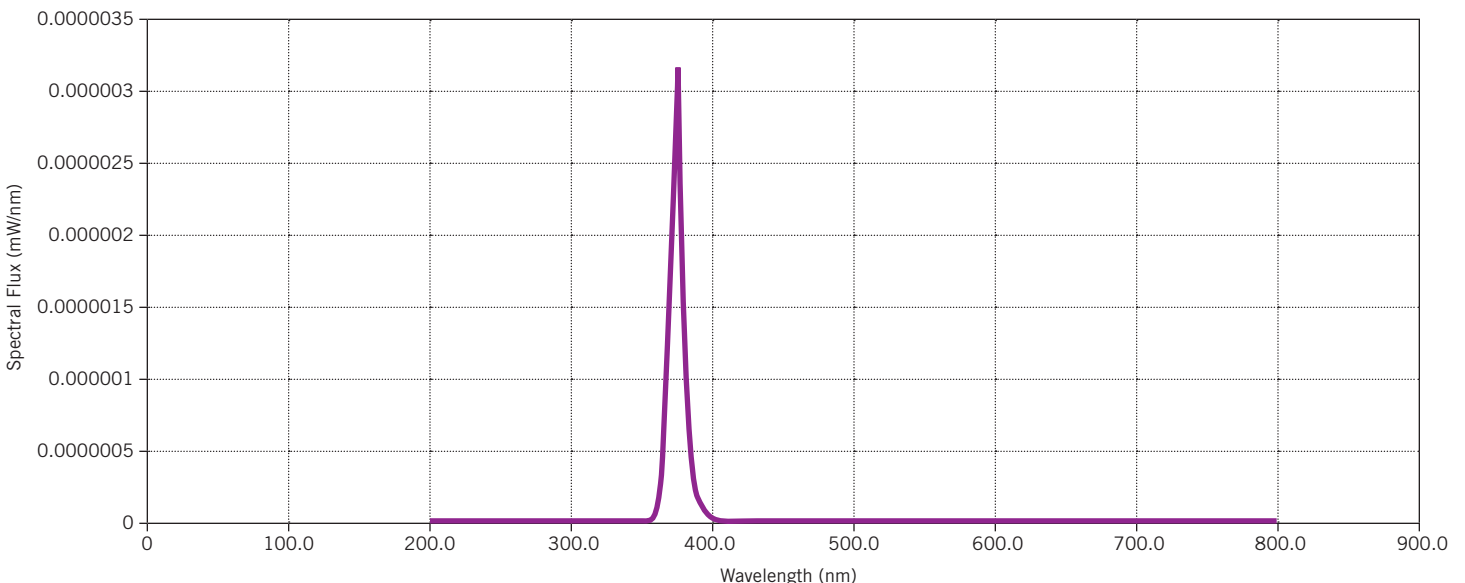
#### ELECTRICAL CHARACTERISTICS

Input Voltage	Input Current	Power Consumption	Power Factor	UV Wavelength	Beam Angle
120-277Vac	0.10A @ 120V 0.04A @ 277V	12W	>0.9	365nm	240°

#### RATED LIFE

L70 (Hours)	20,000
-------------	--------

### ULTRAVIOLET WAVELENGTH

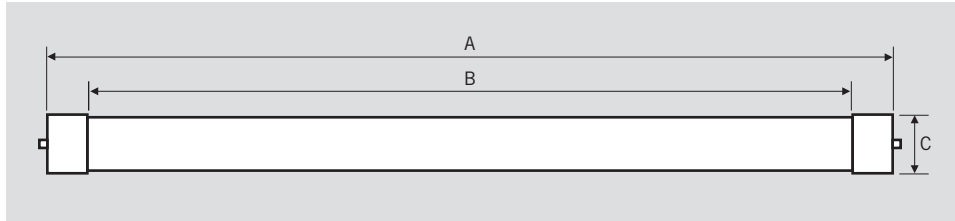




# KT-LED12T8-48G-BL-D

## T8 LED BLACK LIGHT LAMP

### PHYSICAL CHARACTERISTICS



### LAMP DIMENSIONS

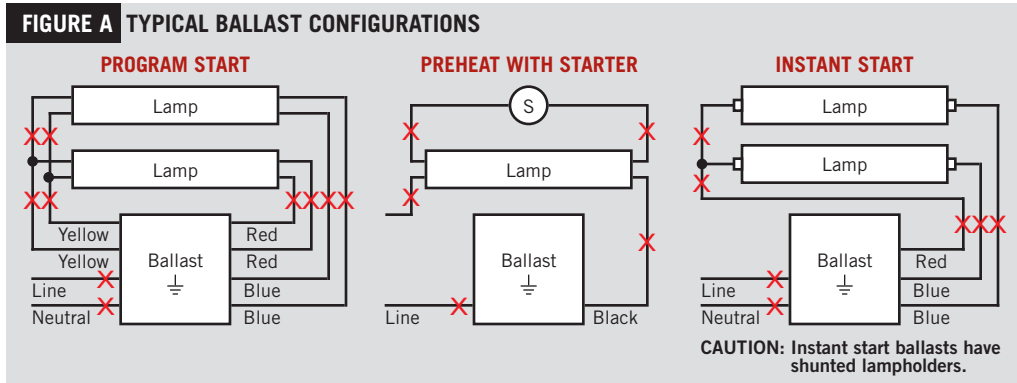
A (Body Length)	47.22"
B (Illuminated Length)	44.31"
C (Diameter)	1.10"

NOMINAL LENGTH: 48"

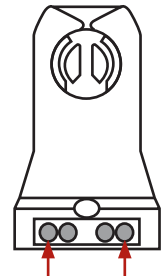
BASE TYPE: G13 (Medium Bi-Pin)

### SINGLE-ENDED WIRING DIAGRAM

1. Cut all existing connections to ballast as shown below and remove ballast. See *Figure A* for typical ballast configurations. **Note: Single-ended wiring requires non-shunted lampholders.**



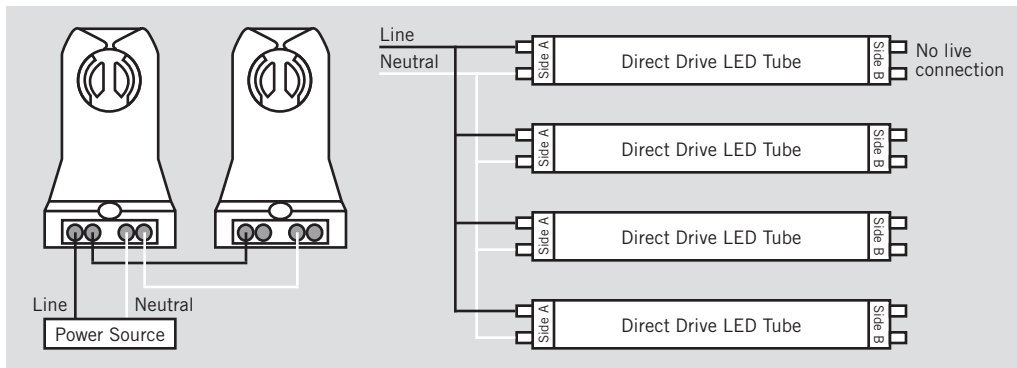
### TYPICAL NON-SHUNTED LAMPHOLDER



Connect wires directly to these terminals

**CAUTION: FOR SINGLE-ENDED WIRING USE ONLY NON-SHUNTED LAMPHOLDERS.**

2. Rewire fixture as shown below.



For Single-ended wiring, do not install product in a fixture with shunted lampholders (found in all fixtures using instant start ballasts). If the current lampholders are shunted, remove them and replace them with non-shunted lampholders. Make new connections directly to terminals as indicated above. Keystone can provide any style replacement lampholders. Call us at 800-464-2680.



# KT-LED12T8-48G-BL-D

T8 LED BLACK LIGHT LAMP

## ORDERING INFORMATION

ORDER CODE	PACKAGING STYLE	PACK QTY.	ITEM STATUS
KT-LED12T8-48G-BL-D-CP	Carton Pack (Egg Crate Packaging)	25	Quick Ship

## CATALOG NUMBER BREAKDOWN

# KT-LED12T8-48G-BL-D-CP

1 2 3 4 5 6 7 8 9

- 1 Keystone Technologies
- 2 LED Lamp
- 3 Wattage
- 4 Lamp Type
- 5 Nominal Length (Inches)
- 6 Glass Construction
- 7 Black Light
- 8 Direct Drive
- 9 Packaging Style