

# KT-RKIT12AC-4C-8XX-FDIM

**DESCRIPTION**

80 CRI AC LED Light Engine



**PRODUCT FEATURES**

- L70 > 50,000 Hours
- Operating Temperature: 0°F-104F°, -18°C-40°C
- UL Classified
- High Factor >.90
- SamsungLEDs
- Suitable for Fully Enclosed Fixtures
- THD <20%
- 5% Minimum Dimming, Low Flicker
- Comes with mounting accessories
- Pre-assembled with Metal Heatsink 5VA Cover

**PERFORMANCE SPECIFICATIONS**

Size	Catalog Number	Color Temp	CRI	Wattage	Lumens	Efficacy	Input Voltage	Dimming Method
4" Round	KT-RKIT12AC-4C-830-FDIM	3000K	>80	12W	1100	92 lm/W	120V	Phase Dimming
	KT-RKIT12AC-4C-840-FDIM	4000K	>80	12W	1120	93 lm/W	120V	Phase Dimming
	KT-RKIT12AC-4C-850-FDIM	5000K	>80	12W	1150	96 lm/W	120V	Phase Dimming

**COMPATIBLE DIMMERS**

Manufacturer	Model Number
Lutron	S-600PR-WH
Lutron	TGCL-153PH-WH
Lutron	MACL-153MH-LA
LEVITON	WA-RXX-06674-12A

**EQUIVALENCES**

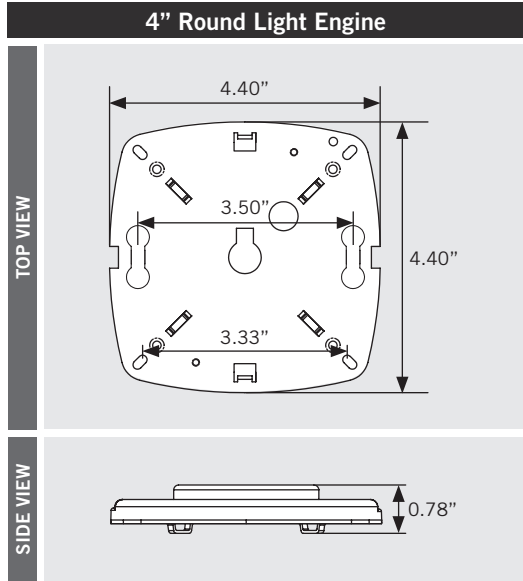
- 2 x 40W Incandescent
- 2 x 11W CFL
- 20W T9 Circline

For questions on additional dimmer compatibility, please contact Keystone.



# KT-RKIT12AC-4C-8XX-FDIM

## DIMENSIONS



## CATALOG NUMBER BREAKDOWN

# KT-RKIT12AC-4C-8XX-FDIM

- 1. Keystone Technologies
- 2. Future Fit Kit
- 3. Wattage
- 4. Alternating Current
- 5. 3" Circular
- 6. 800 Series
- 7. Color Temperature
- 8. Phase Control Dimming