

KT-RKIT17AC-4C-9XX-FDIM

DESCRIPTION

90 CRI AC LED Light Engine



PRODUCT FEATURES

- L70 > 50,000 Hours
- Operating Temperature: 0°F-104°F, -18°C-40°C
- UL Classified
- High Factor >.90
- Seoul LEDs
- Suitable for Fully Enclosed Fixtures
- THD <20%
- 5% Minimum Dimming, Low Flicker
- Comes with mounting accessories
- Pre-assembled with Metal Heatsink 5VA Cover

PERFORMANCE SPECIFICATIONS

Size	Catalog Number	Color Temp	CRI	Wattage	Lumens	Efficacy	Input Voltage	Dimming Method
4" Round	KT-RKIT17AC-4C-927-FDIM	2700K	>90	17W	1100	65 lm/W	120V	Phase Control
	KT-RKIT17AC-4C-930-FDIM	3000K	>90	17W	1200	71 lm/W	120V	Phase Control
	KT-RKIT17AC-4C-940-FDIM	4000K	>90	17W	1300	72 lm/W	120V	Phase Control
	KT-RKIT17AC-4C-950-FDIM	5000K	>90	17W	1340	74 lm/W	120V	Phase Control

COMPATIBLE DIMMERS

Manufacturer	Model Number
Lutron	S-600PR-WH
Lutron	TGCL-153PH-WH
Lutron	MACL-153MH-LA
LEVITON	WA-RXX-06674-12A

EQUIVALENCES

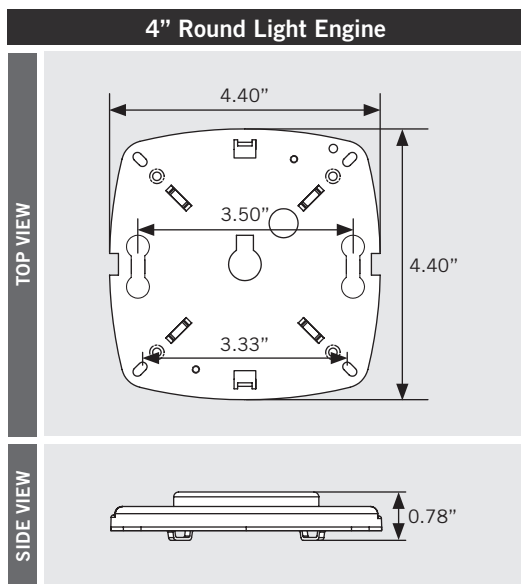
- 2 x 40W Incandescent
- 2 x 11W CFL
- 20W T9 Circline

For questions on additional dimmer compatibility, please contact Keystone.



KT-RKIT17AC-4C-9XX-FDIM

DIMENSIONS



CATALOG NUMBER BREAKDOWN

KT-RKIT17AC-4C-9XX-FDIM

1 2 3 4 5 6 7 8

- 1. Keystone Technologies
- 2. Future Fit Kit
- 3. Wattage
- 4. Alternating Current
- 5. 3" Circular
- 6. 900 Series
- 7. Color Temperature
- 8. Phase Control Dimming