

# KT-RKIT19AC-7C-8XX-FDIM

## DESCRIPTION

80 CRI AC LED Light Engine



## PRODUCT FEATURES

- L70 > 50,000 Hours
- Operating Temperature: 0°F-104F°, -18°C-40°C
- UL Classified
- High Factor >.90
- Samsung LEDs
- Suitable for Fully Enclosed Fixtures
- THD <20%
- 5% Minimum Dimming, Low Flicker
- Comes with mounting accessories
- Pre-assembled with Metal Heatsink 5VA Cover

## PERFORMANCE SPECIFICATIONS

Size	Catalog Number	Color Temp	CRI	Wattage	Lumens	Efficacy	Input Voltage	Dimming Method
7" Round	KT-RKIT19AC-7C-830-FDIM	3000K	>80	19W	1970	103 lm/W	120V	Phase Dimming
	KT-RKIT19AC-7C-840-FDIM	4000K	>80	19W	2050	108 lm/W	120V	Phase Dimming
	KT-RKIT19AC-7C-850-FDIM	5000K	>80	19W	2100	110 lm/W	120V	Phase Dimming

## COMPATIBLE DIMMERS

Manufacturer	Model Number
Lutron	S-600PR-WH
Lutron	TGCL-153PH-WH
Lutron	MACL-153MH-LA
LEVITON	WA-RXX-06674-12A

## EQUIVALENCES

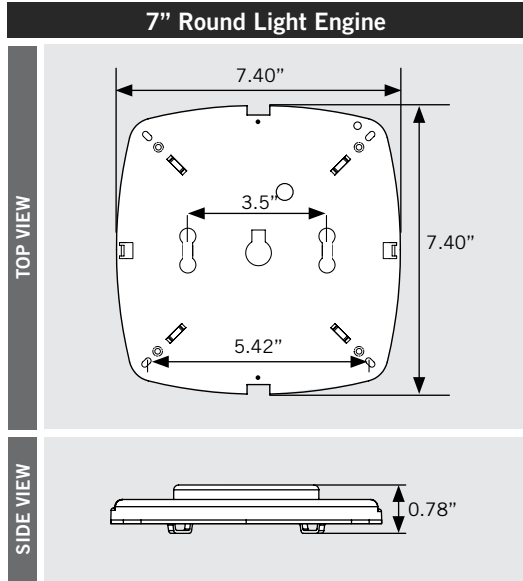
- 2 x 75W Incandescent
  - 2 x 18W CFL
  - 32W T9 Circline
- Designed for 13" Ceiling Mount**

For questions on additional dimmer compatibility, please contact Keystone.



# KT-RKIT19AC-7C-8XX-FDIM

## DIMENSIONS



## CATALOG NUMBER BREAKDOWN

# KT-RKIT19AC-7C-8XX-FDIM

- 1. Keystone Technologies
- 2. Future Fit Kit
- 3. Wattage
- 4. Alternating Current
- 5. 3" Circular
- 6. 800 Series
- 7. Color Temperature
- 8. Phase Control Dimming