

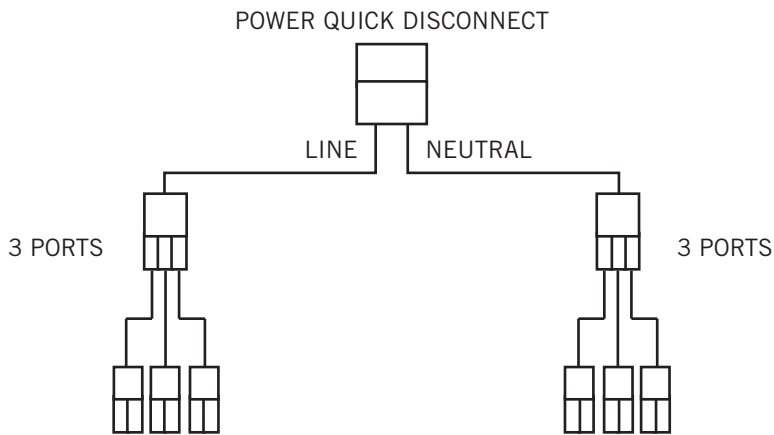


KT-WH-PS-3 WIRING HARNESS

RETROFIT ACCESSORIES

THREE POWER SUPPLY APPLICATIONS

CATALOG NUMBER	DESCRIPTION
KT-WH-PS-3	Wiring Harness for Up to Three Power Supply Sign Applications; Compatible with Existing Electronic or Magnetic Ballast Wired Fixtures



WIRING APPLICATIONS

