



KTEB-228-1-TP-PH	
Ballast Type	Electronic
Starting Method	Rapid Start
Lamp Connection	Parallel
Input Voltage	120Vac ± 10%
Input Frequency	60Hz / 50Hz

ELECTRICAL SPECIFICATIONS:

Lamp Type	No. of Lamp	Input Watts	Input Current (Amps)	Power Factor	Crest Factor	Ballast Factor	Ballast Efficacy Factor	Max. THD %
F28T5	2	56	0.83	0.56	1.42	0.86	1.54	130
F21T5	2	46	0.70	0.55	1.43	0.95	2.07	130

PERFORMANCE:

- Sound Rated: A
- Minimum Starting Temperature: 0°F, -18°C
- Maximum Case Temperature: 167°F, 75°C
- Lamp end-of-life protected
- Meets FCC Part 18 (Class B) Consumer Limits
- 3-Year Warranty

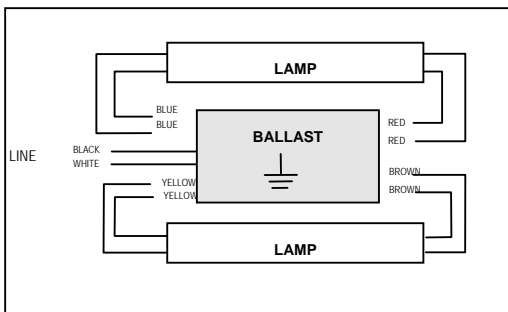
APPROVALS:

- UL, cUL 935 Listed.

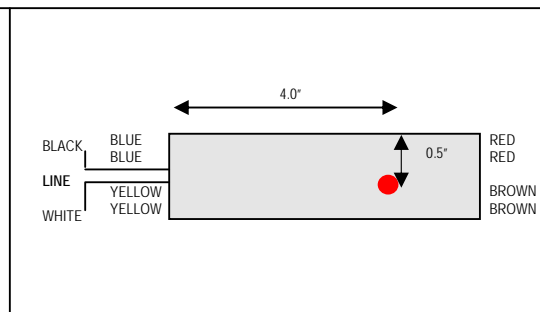
PHYSICAL DIMENSIONS:

Length (L):	6.46"
Width (W):	1.37"
Height (H):	1.00"
Mounting (M):	6.00"

WIRING DIAGRAM:



Hot Spot Location:



KEYSTONE TECHNOLOGIES LLC.
P.O. Box 246, AMBLER, PENNSYLVANIA 19002
PHONE: 215-283-2600
FAX: 215-628-4412
INFO@KEYSTONEBALLAST.COM
WWW.KEYSTONEBALLAST.COM