



# KTEB-260HO-UV-PS-SL

## T12HO ELECTRONIC BALLAST



### DESCRIPTION

2 x F48T12HO | 120-277V Input | High Power Factor | Program Start

<b>STARTING METHOD:</b> Program
<b>LAMP CONNECTION:</b> Series
<b>INPUT VOLTAGE:</b> 120-277VAC ±10%
<b>INPUT FREQUENCY:</b> 50/60 Hz
<b>POWER FACTOR:</b> High
<b>WARRANTY:</b> 5 Years



### PRODUCT FEATURES

- Sound Rated: A
- Maximum Case Temperature: 194°F, 90°C
- Maximum Ambient Temperature: 158°F, 70°C
- Meets FCC Part 18 (Class A) Non-Consumer Limits
- Meets ANSI Standards C82.11-2002 and C62.41-2002
- Type HL, Type CC
- UL Listed (Class P, Type 1 Outdoor)
- Lamp Starts: >50,000 Times

### ELECTRICAL SPECIFICATIONS

Lamp Type	No. of Lamps	Input Volts	Wattage	Input Power	Input Current	Power Factor	Crest Factor	Ballast Factor	Ballast Efficacy Factor	Max. THD	Min. Start Temp	Wiring Diagram
F96T12HO	1	120V	110W	120W	1.02A	0.98	1.60	1.00	0.83	≤10%	-22°F/-30°C	F1-12
		277V	110W	117W	0.43A	0.98	1.60	1.00	0.85	≤10%	-22°F/-30°C	F1-12
F96T12HO/ES	1	120V	95W	102W	0.86A	0.98	1.60	1.00	0.98	≤10%	60°F/16°C	F1-12
		277V	95W	100W	0.37A	0.98	1.60	1.00	1.05	≤10%	60°F/16°C	F1-12
F48T12HO*	1	120V	60W	62W	0.53A	0.98	1.60	1.00	1.54	≤10%	-22°F/-30°C	F1-12
		277V	60W	61W	0.23A	0.95	1.60	1.00	1.56	≤10%	-22°F/-30°C	F1-12
	2	120V	60W	120W	1.02A	0.98	1.60	1.00	0.83	≤10%	-22°F/-30°C	F2-1
		277V	60W	117W	0.43A	0.98	1.60	1.00	0.85	≤10%	-22°F/-30°C	F2-1
F48T12HO/ES	1	120V	55W	55W	0.47A	0.98	1.60	0.93	1.69	≤10%	60°F/16°C	F1-12
		277V	55W	54W	0.20A	0.95	1.60	0.93	1.72	≤10%	60°F/16°C	F1-12
	2	120V	55W	105W	0.89A	0.98	1.60	0.93	0.88	≤10%	60°F/16°C	F2-1
		277V	55W	103W	0.38A	0.98	1.60	0.93	0.90	≤10%	60°F/16°C	F2-1
F60T12HO	1	120V	75W	79W	0.66A	0.98	1.60	1.22	1.54	≤10%	-22°F/-30°C	F1-12
		277V	75W	78W	0.29A	0.95	1.60	1.22	1.56	≤10%	-22°F/-30°C	F1-12
F36T12HO	1	120V	45W	47W	0.40A	0.98	1.60	1.03	2.19	≤10%	-22°F/-30°C	F1-12
		277V	45W	47W	0.18A	0.90	1.60	1.03	2.19	≤10%	-22°F/-30°C	F1-12
	2	120V	45W	88W	0.75A	0.98	1.60	1.00	1.14	≤10%	-22°F/-30°C	F2-1
		277V	45W	86W	0.32A	0.98	1.60	1.00	1.16	≤10%	-22°F/-30°C	F2-1
F24T12HO	1	120V	35W	31W	0.27A	0.98	1.60	1.03	3.32	≤10%	-22°F/-30°C	F1-12
		277V	35W	31W	0.12A	0.85	1.60	1.03	3.32	≤10%	-22°F/-30°C	F1-12
	2	120V	35W	59W	0.50A	0.98	1.60	1.00	1.69	≤10%	-22°F/-30°C	F2-1
		277V	35W	58W	0.22A	0.95	1.60	1.00	1.72	≤10%	-22°F/-30°C	F2-1

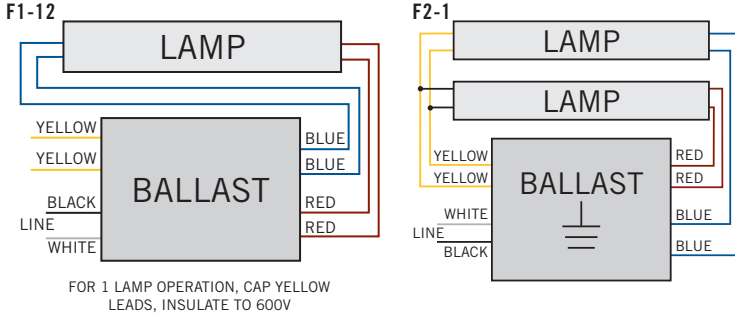
\*Primary Lamp Type



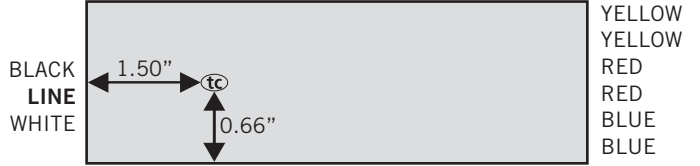
# KTEB-260HO-UV-PS-SL

## T12HO ELECTRONIC BALLAST

### WIRING DIAGRAMS

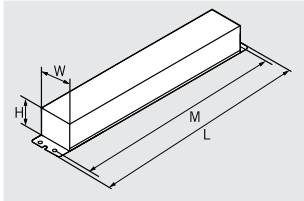


### HOT SPOT LOCATION



### MECHANICAL SPECIFICATIONS

#### CASE DIMENSIONS



LENGTH	9.50"
WIDTH	2.30"
HEIGHT	1.50"
MOUNTING	8.90"
CASE STYLE	L35

#### STANDARD LEAD LENGTHS\*

BLACK	20"
WHITE	20"
BLUE	40"
RED	40"
YELLOW	32"

Lead Wires are UL1015 18 AWG, Stranded Copper.

CASE MATERIAL: Metal

\*Consult Keystone for special lead length requirements.

### ORDERING INFORMATION

ORDER CODE	PACKAGING STYLE	PACK QTY.	ITEM STATUS
KTEB-260HO-UV-PS-SL-CP	Carton Pack	TBD	Active

### CATALOG NUMBER BREAKDOWN

# KTEB-260HO-UV-PS-SL-CP

