

### PRODUCT FEATURES

- Sound Rated: A
- Minimum Starting Temperature: 0°F, -18°C
- Maximum Case Temperature: 194°F, 90°C
- Meets FCC Part 18 (Class A) Consumer Limits
- UL, cUL 935 Listed, Class P, Type 1 Outdoor
- Transient Protection Meets ANSI/IEEE C62.41 Cat. A
- Ballast Frequency for All Listed Lamps: 55KHz-62KHz

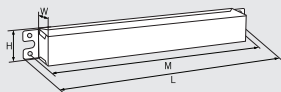
<b>STARTING METHOD:</b> Program	<b>INPUT VOLTAGE:</b> 120-277VAC ±10%	<b>WARRANTY:</b> 5 Years
<b>LAMP CONNECTION:</b> Series	<b>INPUT FREQUENCY:</b> 50/60 Hz	

### ELECTRICAL SPECIFICATIONS

LAMP TYPE	NO. OF LAMPS	INPUT VOLTS	INPUT WATTS	INPUT CURRENT (AMPS)	POWER FACTOR	CREST FACTOR	BALLAST FACTOR	BALLAST EFFICACY FACTOR	MAX THD
F28T5/HE	4	120	134	1.12	0.99	1.70	1.05	0.78	10
		277	134	0.48	0.98	1.70	1.05	0.78	10
	3	120	100	0.83	0.96	1.70	1.04	1.04	12
		277	100	0.36	0.96	1.70	1.04	1.04	12
	2	120	67	0.56	0.99	1.70	1.05	1.57	10
		277	67	0.24	0.98	1.70	1.05	1.57	10
	1	120	33	0.28	0.95	1.70	1.04	3.15	12
		277	33	0.13	0.95	1.70	1.04	3.15	12
F21T5/HE	4	120	102	0.85	0.99	1.70	1.04	1.02	10
		277	102	0.37	0.98	1.70	1.04	1.02	10
	3	120	77	0.64	0.99	1.70	1.06	1.38	10
		277	77	0.28	0.96	1.70	1.06	1.38	12
	2	120	51	0.42	0.99	1.70	1.04	2.04	10
		277	51	0.19	0.98	1.70	1.04	2.04	10
	1	120	26	0.22	0.99	1.70	1.06	4.08	12
		277	26	0.10	0.95	1.70	1.06	4.08	12
F14T5/HE	4	120	68	0.57	0.99	1.70	1.04	1.53	10
		277	68	0.25	0.96	1.70	1.04	1.53	12
	3	120	53	0.44	0.98	1.70	1.12	2.11	10
		277	53	0.19	0.93	1.70	1.12	2.11	15
	2	120	34	0.28	0.99	1.70	1.04	3.06	12
		277	34	0.13	0.96	1.70	1.04	3.06	12
	1	120	19	0.16	0.98	1.70	1.12	5.89	15
		277	19	0.08	0.92	1.70	1.12	5.89	15

### CASE DIMENSIONS

<b>LENGTH</b>	18.44"
<b>WIDTH</b>	1.31"
<b>HEIGHT</b>	1.03"
<b>MOUNTING</b>	17.92"

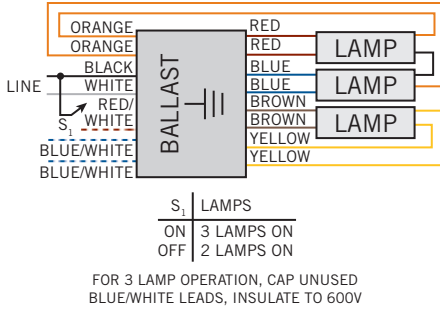



# KTEB-428HE-UV-PS-LC

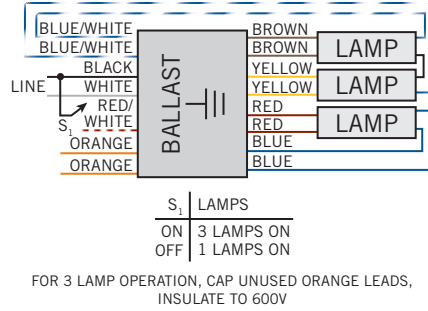
## T5 ELECTRONIC BALLAST

### WIRING DIAGRAMS

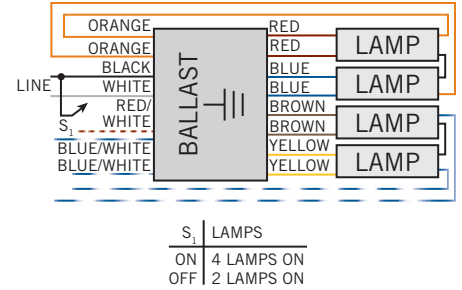
3 Lamp



3 Lamp



4 Lamp



### HOT SPOT LOCATION

