



# KTEB-432-UV-PS-L-P

## T8 ELECTRONIC BALLAST

Version D2



### DESCRIPTION

4x F32T8 | 120-277 Multi-Voltage | HPF | Program Start

<b>STARTING METHOD:</b> Program
<b>LAMP CONNECTION:</b> Parallel
<b>INPUT VOLTAGE:</b> 120-277VAC ±10%
<b>INPUT FREQUENCY:</b> 50/60 Hz
<b>POWER FACTOR:</b> High
<b>WARRANTY:</b> 5 Years



### PRODUCT FEATURES

- 2014 DOE Compliant
- Sound Rated: A
- Maximum Ambient Temperature: 105°F, 40°C
- Maximum Case Temperature: 167°F, 75°C
- Meets FCC Part 18 (Class A) Non-Consumer Limits
- Meets ANSI Standard C82.11 and C62.41
- UL, cUL Listed Class P, Type 1 Outdoor
- Anti-Striation Circuitry
- Type HL

### ELECTRICAL SPECIFICATIONS

LAMP TYPE	NO. OF LAMPS	INPUT VOLTS	INPUT WATTS	INPUT CURRENT (AMPS)	POWER FACTOR	BALLAST FACTOR	BALLAST EFFICACY FACTOR	MAX THD%	CREST FACTOR	MIN START TEMP	WIRING DIAGRAM
F32T8 (32W)	4	120	99.1	0.85	>0.9	0.78	0.79	10	<1.7	0°F, -18°C	F4-6
		277	97.6	0.36	>0.9	0.78	0.80	10	<1.7	0°F, -18°C	F4-6
	3	120	81.5	0.69	>0.9	0.90	1.10	10	<1.7	0°F, -18°C	F3-8
		277	78.1	0.30	>0.9	0.90	1.15	10	<1.7	0°F, -18°C	F3-8
F32T8 (30W)	4	120	89.2	0.76	>0.9	0.78	0.87	10	<1.7	60°F, 16°C	F4-6
		277	88.1	0.32	>0.9	0.78	0.89	10	<1.7	60°F, 16°C	F4-6
	3	120	72.7	0.62	>0.9	0.90	1.24	10	<1.7	60°F, 16°C	F3-8
		277	72.2	0.27	>0.9	0.90	1.25	10	<1.7	60°F, 16°C	F3-8
F32T8 (28W)	4	120	87.7	0.74	>0.9	0.78	0.89	10	<1.7	60°F, 16°C	F4-6
		277	86.3	0.32	>0.9	0.78	0.90	10	<1.7	60°F, 16°C	F4-6
	3	120	68.2	0.57	>0.9	0.90	1.32	10	<1.7	60°F, 16°C	F3-8
		277	70.2	0.28	>0.9	0.90	1.28	10	<1.7	60°F, 16°C	F3-8
F32T8 (25W)	4	120	77.4	0.67	>0.9	0.78	1.01	10	<1.7	60°F, 16°C	F4-6
		277	76.6	0.28	>0.9	0.78	1.02	10	<1.7	60°F, 16°C	F4-6
	3	120	64.9	0.54	>0.9	0.90	1.39	10	<1.7	60°F, 16°C	F3-8
		277	63.6	0.24	>0.9	0.90	1.42	10	<1.7	60°F, 16°C	F3-8
F25T8	4	120	77.4	0.67	>0.9	0.78	1.01	10	<1.7	0°F, -18°C	F4-6
		277	76.6	0.28	>0.9	0.78	1.02	10	<1.7	0°F, -18°C	F4-6
	3	120	64.9	0.54	>0.9	0.90	1.39	10	<1.7	0°F, -18°C	F3-8
		277	63.6	0.24	>0.9	0.90	1.42	10	<1.7	0°F, -18°C	F3-8
F17T8	4	120	52.6	0.44	>0.9	0.80	1.52	10	<1.7	0°F, -18°C	F4-6
		277	52.5	0.20	>0.9	0.80	1.52	10	<1.7	0°F, -18°C	F4-6
	3	120	46.4	0.39	>0.9	0.92	1.98	10	<1.7	0°F, -18°C	F3-8
		277	46.4	0.19	>0.9	0.92	1.98	12	<1.7	0°F, -18°C	F3-8
F40T8	3	120	98.6	0.84	>0.9	0.80	0.81	10	<1.7	0°F, -18°C	F3-8
		277	97.1	0.36	>0.9	0.80	0.82	10	<1.7	0°F, -18°C	F3-8



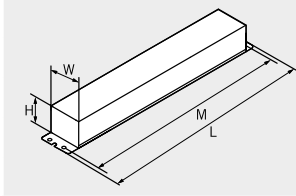
# KTEB-432-UV-PS-L-P

## T8 ELECTRONIC BALLAST

Version D2

### PHYSICAL SPECIFICATIONS

#### CASE DIMENSIONS



LENGTH	9.50"
WIDTH	1.70"
HEIGHT	1.18"
MOUNTING	9.00"
CASE STYLE	L5

#### STANDARD LEAD LENGTH\*

WHITE	25"
BLACK	25"
BLUE	31"
BLUE / WHITE	31"
RED	31"
RED / WHITE	31"
YELLOW	39"

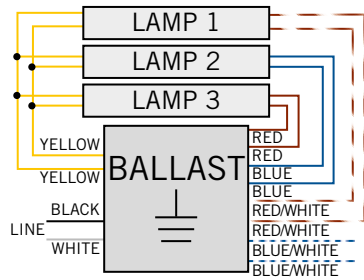
#### CASE MATERIAL: Steel

Lead wires are 18 AWG 105 C/600V, solid copper.

\* Consult Keystone for special lead length requirements.

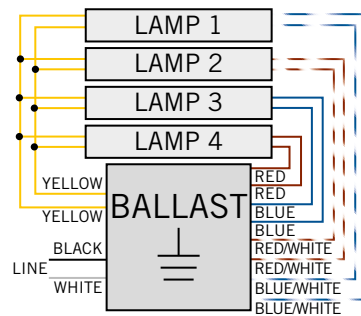
### WIRING DIAGRAMS

F3-8



CAP UNUSED BLUE/WHITE LEADS, INSULATE TO 600V

F4-6



### ORDERING INFORMATION

ORDER CODE	PACKAGING STYLE	PACK QTY.	ITEM STATUS
KTEB-432-UV-PS-L-P-CP	Carton Pack	10	Quick Ship

NOTE: Version D2 (Manufacturing Revision). Prior versions of this ballast exist. Spec sheets for prior versions available upon request. Contact Keystone for details.

### CATALOG NUMBER BREAKDOWN

# KTEB-432-UV-PS-L-P-CP

