



| |
|--|
| KTLD-25-1-XXX-FDIM-L9 |
| Constant current LED driver |
| Total power: 25W |
| Input voltage: 120Vac ± 10% |
| Number of outputs: One |
| UL 8750 |
| IP20 design for dry and damp location |
| Dimmable with leading / trailing edge dimmer |
| 5 year warranty |

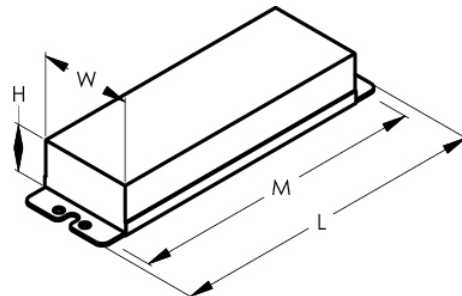
| ELECTRICAL SPECIFICATIONS: | | ENVIRONMENTAL SPECIFICATIONS: | |
|----------------------------|--|-------------------------------|---|
| Input voltage range: | 120Vac ± 10% | Operating temperature: | -30 to 60°C |
| Frequency: | 60Hz | Storage temperature: | -40 to 85°C |
| Power factor: | >0.9 @full load | Humidity: | 5% to 95% |
| Inrush current: | 2A @120V | MTBF: | 440,000 hours at 40°C ambient (~70°C Case temp) |
| Max input current: | 0.29A @120V | Maximum case Temperature | 90°C |
| THD: | <20% | | |
| Protection: | Over voltage, Over current and Short circuit | | |
| Withstand voltage | I/P – O/P 2k Vac | | |

| PRODUCT SPECIFICATIONS: | | | | | | | | |
|-------------------------|------------------|----------------|----------------|------------|------------------------------------|---------|--------|--|
| Model Number | Max output power | Output Current | Output Voltage | Efficiency | Remote mounting distance (#18 AWG) | Class 2 | | |
| | | | | | | US | Canada | |
| KTLD-25-1-700-FDIM-L9 | 25W | 700mA | 12 - 36V | 80% | 54 ft | √ | √ | |
| KTLD-25-1-800-FDIM-L9 | 25W | 800mA | 11 - 31V | 80% | 48 ft | √ | √ | |
| KTLD-25-1-900-FDIM-L9 | 25W | 900mA | 10 - 28V | 80% | 42 ft | √ | √ | |
| KTLD-25-1-1000-FDIM-L9 | 25W | 1000mA | 9 - 25V | 80% | 38 ft | √ | √ | |
| KTLD-25-1-1100-FDIM-L9 | 25W | 1100mA | 8 - 23V | 80% | 34 ft | √ | √ | |

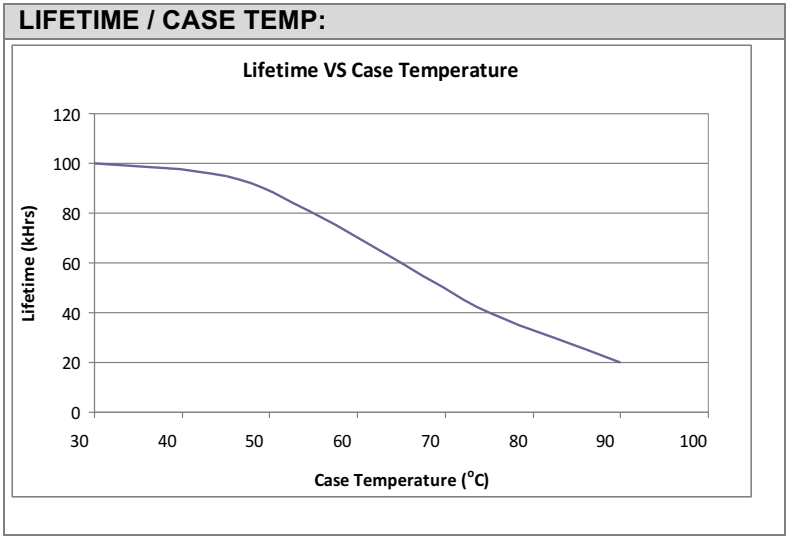
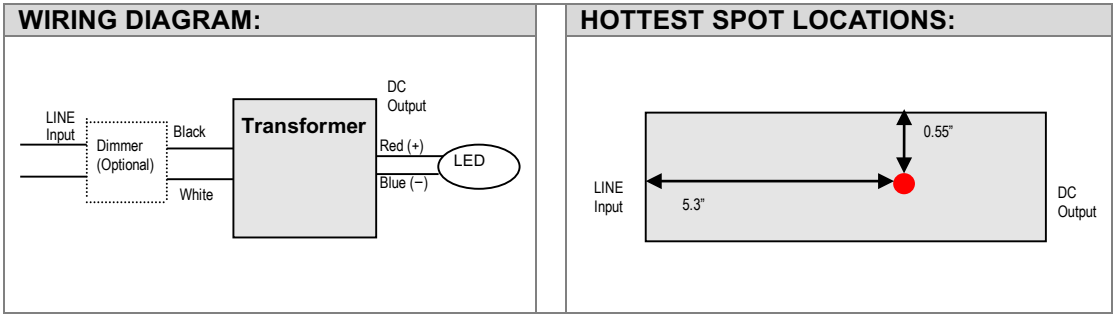
| SAFETY AND EMC COMPLIANCE: | |
|----------------------------|------------------------|
| UL/cUL | UL 8750 |
| FCC, 47CFR Part 15 | Class B Consumer Limit |
| EN61000-3-2 | |

| PHYSICAL DIMENSIONS: | |
|----------------------|---------|
| Length (L): | 9.57" |
| Width (W): | 1.13" |
| Height (H): | 1.07" |
| Mounting (M): | 8.90" |
| Weight: | 0.40 kg |

| WIRE SPECIFICATIONS: | |
|----------------------|---|
| Input: | 12", UL 1316 #18AWG (Black and White) |
| Output: | 12", UL 1316/1430 #22AWG (Red and Blue) |



Keystone Technologies • 208 Progress Drive, North Wales, PA 19454
 Phone (800) 464-2680 • Fax (888) 966-0556 • www.keystoneballast.com



Keystone Technologies • 208 Progress Drive, North Wales, PA 19454
 Phone (800) 464-2680 • Fax (888) 966-0556 • www.keystoneballast.com