



KTLD-40-UV-XXX-VDIM-W1
Constant current LED driver
Total power: 40W
Input voltage: 120~277Vac ± 10%
Number of outputs: One
UL 8750
IP20 design for dry and damp location
Dimmable with 0-10V dimmer
5 year warranty

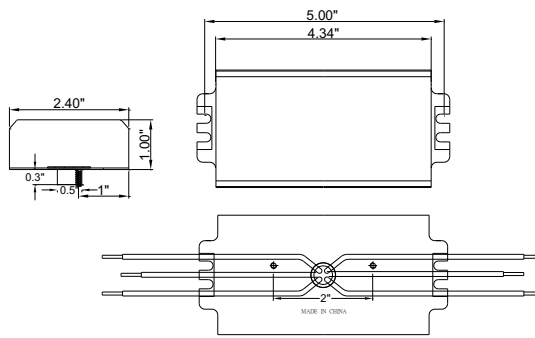
ELECTRICAL SPECIFICATIONS:		ENVIRONMENTAL SPECIFICATIONS:	
Input voltage range:	120~277Vac ± 10%	Operating temperature:	-20 to 60°C
Frequency:	50/60Hz	Storage temperature:	-40 to 85°C
Power factor:	>0.9 @full load, 120V through 277V	Humidity:	5% to 95%
Inrush current:	30A @230V	MTBF:	302,000 hours at 40°C ambient (~70°C Case temp)
Max input current:	0.44A @120V and 0.20A @ 277V	Maximum case Temperature	90°C
THD:	<20%		
Protection:	Over voltage, Over current and Short circuit		
Withstand voltage	I/P – O/P 2k Vac		

PRODUCT SPECIFICATIONS:							
Model Number	Max output power	Output Current	Output Voltage	Efficiency	Remote mounting distance (#18 AWG)	Class 2	
						US	Canada
KTLD-40-UV-740-VDIM-W1	40W	740mA	27 - 54 V	82%	51 ft	√	
KTLD-40-UV-800-VDIM-W1	40W	800mA	25 - 50 V	82%	48 ft	√	
KTLD-40-UV-900-VDIM-W1	40W	900mA	22 - 44 V	82%	42 ft	√	
KTLD-40-UV-950-VDIM-W1	40W	950mA	21 - 42 V	82%	40 ft	√	
KTLD-40-UV-1000-VDIM-W1	40W	1000mA	20 - 40 V	82%	38 ft	√	
KTLD-40-UV-1100-VDIM-W1	40W	1100mA	18 - 36 V	82%	34 ft	√	√
KTLD-40-UV-1200-VDIM-W1	40W	1200mA	17 - 33 V	82%	32 ft	√	√
KTLD-40-UV-1300-VDIM-W1	40W	1300mA	17 - 31 V	82%	29 ft	√	√
KTLD-40-UV-1400-VDIM-W1	40W	1400mA	14 - 29 V	82%	27 ft	√	√
KTLD-40-UV-1500-VDIM-W1	40W	1500mA	13 - 27 V	82%	25 ft	√	√
KTLD-40-UV-1600-VDIM-W1	40W	1600mA	13 - 25 V	82%	24 ft	√	√
KTLD-40-UV-1670-VDIM-W1	40W	1670mA	12 - 24 V	82%	23 ft	√	√

SAFETY AND EMC COMPLIANCE:	
UL/cUL	UL 8750
FCC, 47CFR Part 15	Class B Consumer Limit
EN61000-3-2	

Keystone Technologies • 208 Progress Drive, North Wales, PA 19454
 Phone (800) 464-2680 • Fax (888) 966-0556 • www.keystoneballast.com

PHYSICAL DIMENSIONS:	
Length (L):	5.00"
Width (W):	2.40"
Height (H):	1.00"
Mounting (M):	4.63"
Weight:	0.25 kg
WIRE SPECIFICATIONS:	
Input:	12", UL 1316 #18AWG (Black and White)
Output:	12", UL 1316 #18AWG (Red and Blue)
Dimming:	12", UL 1316/1430 #22AWG (Purple and Grey)



Two side leads out version also available

WIRING DIAGRAM:	HOTTEST SPOT LOCATIONS:

LIFETIME / CASE TEMP:
TBC