



KTLD-50-UV-XXX-W2
Constant current LED driver
Total power: 50W
Input voltage: 120~277Vac ± 10%
Number of outputs: One
UL 8750
IP20 design for dry and damp location
5 year warranty

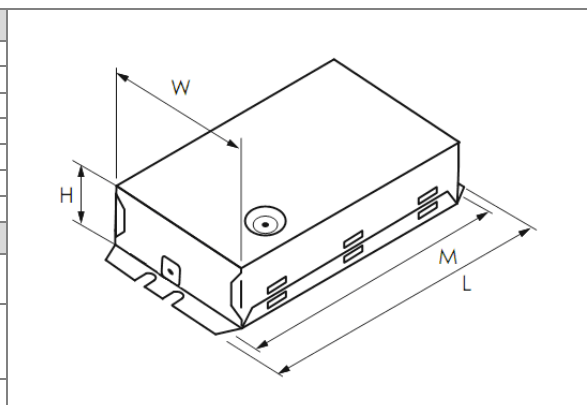
ELECTRICAL SPECIFICATIONS:		ENVIRONMENTAL SPECIFICATIONS:	
Input voltage range:	120~277Vac ± 10%	Operating temperature:	-30 to 60°C
Frequency:	50/60Hz	Storage temperature:	-40 to 85°C
Power factor:	>0.9 @full load, 120V through 277V	Humidity:	5% to 95%
Inrush current:	30A @230V	MTBF:	299,000 hours at 40°C ambient (~70°C Case temp)
Max input current:	0.54A @120V and 0.23A @ 277V	Maximum case Temperature	90°C
THD:	<20%		
Protection:	Over voltage, Over current and Short circuit		
Withstand voltage	I/P – O/P 2k Vac		

PRODUCT SPECIFICATIONS:							
Model Number	Max output power	Output Current	Output Voltage	Efficiency	Remote mounting distance (#18 AWG)	Class 2	
						US	Canada
KTLD-50-UV-920-W2	50W	920mA	27 - 54V	84%	41 ft	√	
KTLD-50-UV-1000-W2	50W	1000mA	25 – 50V	84%	38 ft	√	
KTLD-50-UV-1100-W2	50W	1100mA	23 – 45V	84%	34 ft	√	
KTLD-50-UV-1200-W2	50W	1200mA	21 – 42V	84%	32 ft	√	√
KTLD-50-UV-1300-W2	50W	1300mA	19 – 38V	84%	29 ft	√	√
KTLD-50-UV-1400-W2	50W	1400mA	18 - 36V	84%	27 ft	√	√

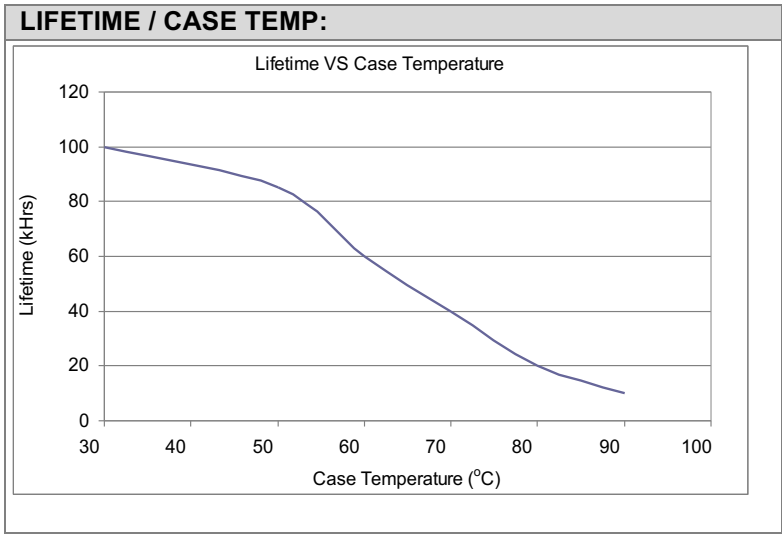
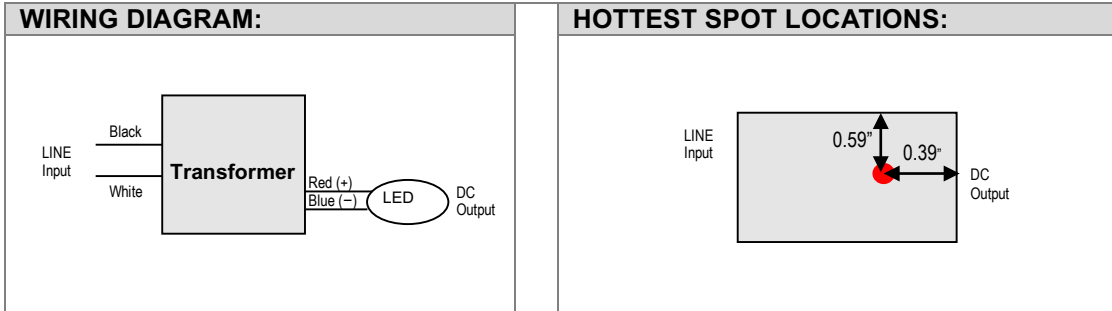
SAFETY AND EMC COMPLIANCE:	
UL/cUL	UL 8750
FCC, 47CFR Part 15	Class B Consumer Limit
EN61000-3-2	

PHYSICAL DIMENSIONS:	
Length (L):	5.00"
Width (W):	3.00"
Height (H):	1.38"
Mounting (M):	4.63"
Weight:	0.63 kg

WIRE SPECIFICATIONS:	
Input:	12", UL1316 #18AWG (Black and White)
Output:	12", UL 1316 /1430 #22AWG (Red and Blue)
Dimming:	



Keystone Technologies • 1390 Welsh Road, North Wales, PA 19454
 Phone (800) 464-2680 • Fax (888) 966-0556 • www.keystoneballast.com



Keystone Technologies • 1390 Welsh Road, North Wales, PA 19454
 Phone (800) 464-2680 • Fax (888) 966-0556 • www.keystoneballast.com