



MH-400A-Q-KIT /A

400W METAL HALIDE BALLAST KIT



DESCRIPTION

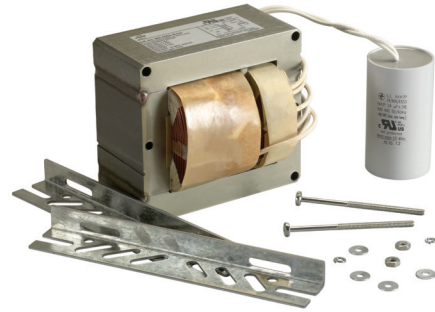
400W Metal Halide Ballast Kit | Quad Tap

LAMP TYPE: 400W Standard Metal Halide (M59 or H33)

INPUT VOLTAGE: Quad Tap (120/208/240/277)

CIRCUIT TYPE: CWA

WARRANTY: 2 Years



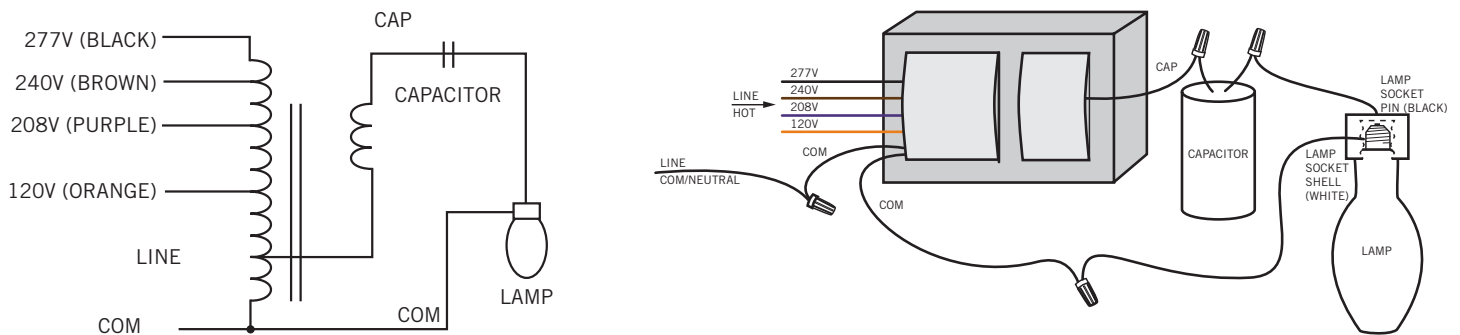
PRODUCT FEATURES

- ANSI Designation: M59 or H33
- Line Voltage: 120/208/240/277
- Regulation: 10%
- Frequency: 60 Hz
- Recommended Fuse (A): 10/8/5/5
- Circuit Type: CWA (Without Ignitor)
- Insulation Class: 180°C
- Capacitor Value: 24 μ F
- Capacitor Voltage Rating: 400 V
- Capacitor Temperature Rating: 90°C
- Winding Materials: Aluminum/Aluminum
- Lamp Starter: N/A
- Agency Certification: RU, cRU
- Maximum Distance to Lamp: N/A

ELECTRICAL SPECIFICATIONS

Line Voltage	Power Factor	Line Current			Input Power	Open Circuit Voltage	Minimum Start Temperature	UL Temp. Code
		Operating	Open	Start				
120V	High	4.00mA	4.40mA	2.90mA	457W	305V	-30°C/-22°F	E
208V	High	2.30mA	2.56mA	1.70mA	457W	305V	-30°C/-22°F	E
240V	High	2.00mA	2.21mA	1.50mA	457W	305V	-30°C/-22°F	E
277V	High	1.73mA	1.98mA	1.28mA	457W	305V	-30°C/-22°F	E

WIRING DIAGRAM



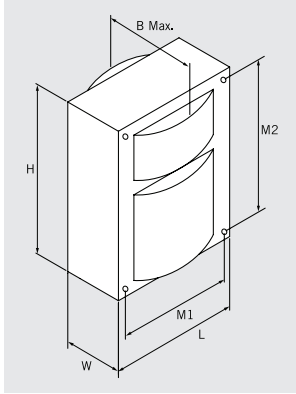


MH-400A-Q-KIT /A

400W METAL HALIDE BALLAST KIT

PHYSICAL SPECIFICATIONS

CASE STYLE

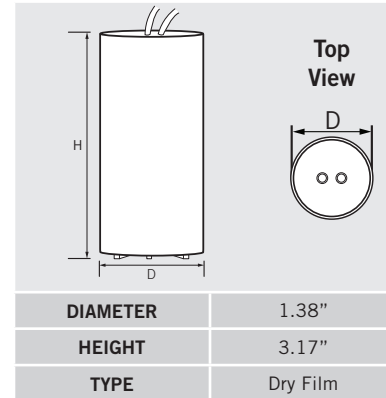


OVERALL DIMENSIONS			
LENGTH	WIDTH	HEIGHT	B MAX.
4.25"	2.00"	4.75"	4.10"

MOUNTING HOLES		
DIAMETER	M1	M2
0.25"	3.87"	4.37"

BRACKET DIMENSIONS		BALLAST NET WEIGHT	LEAD LENGTH
LENGTH	WIDTH		
7.25"	1.11"	10.14 lbs	12-14"

CAPACITOR SPECIFICATIONS



DIAMETER	1.38"
HEIGHT	3.17"
TYPE	Dry Film

ORDERING INFORMATION

Order Code	Packaging Style	Package Quantity	Item Status
MH-400A-Q-KIT /A	Kit	1	Quick Ship

Kit includes pre-wired ballast, capacitor, mounting brackets, and mounting hardware

CATALOG NUMBER BREAKDOWN

