



# HPS-1000A-Q-KIT

## 1000W HIGH PRESSURE SODIUM BALLAST KIT

### DESCRIPTION

1000W High Pressure Sodium Ballast Kit



**LAMP TYPE:** 1000W High Pressure Sodium (S52)

**INPUT VOLTAGE:** 4-Tap (120, 208, 240, 277)

**CIRCUIT TYPE:** Constant Wattage Autotransformer (CWA)



### PRODUCT FEATURES

- ANSI designation: S52
- Line voltage: 120, 208, 240, 277
- Regulation: 10%
- Frequency: 60 Hz
- Recommended fuse (A): 20, 15, 10, 10
- Circuit type: CWA
- Insulation class: 180°C/356°F
- Capacitor value: 26 $\mu$ F
- Capacitor voltage rating: 525V
- Capacitor temperature rating: 90°C/194°F
- Winding materials: Cu/Al
- Lamp starter: XG-03
- Agency certification: RU, cRU
- Maximum distance to lamp: 15 ft

### ELECTRICAL CHARACTERISTICS

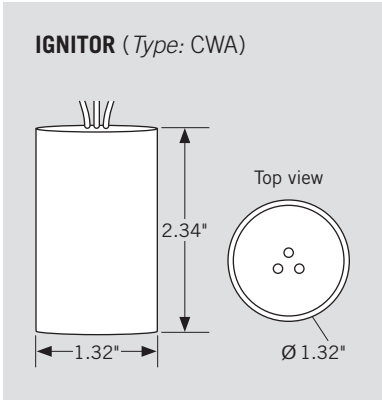
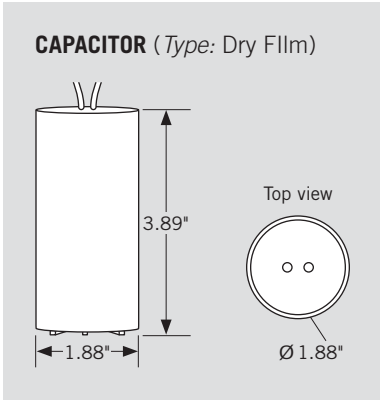
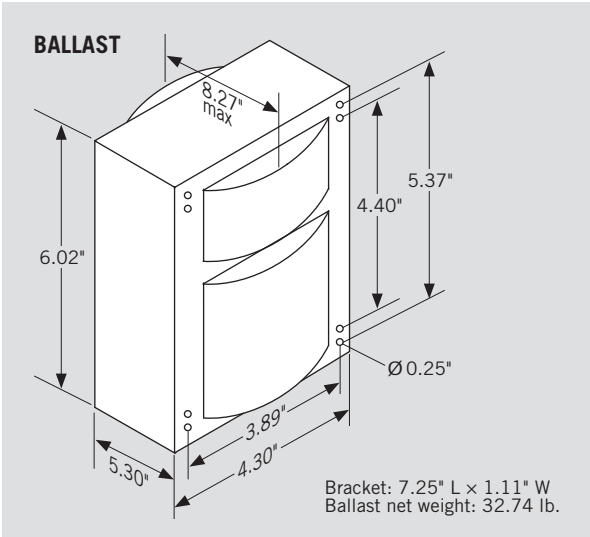
Line Voltage	Power Factor	Line Current			Input Power	Open Circuit Voltage	Minimum Start Temp	UL Temp Code
		Operating	Open Circuit	Starting				
120V	High	9.88A	2.50A	10.10A	1128W	434V	-40°C/-40°F	E
208V	High	5.67A	1.42A	5.76A	1107W	431V	-40°C/-40°F	E
240V	High	4.91A	1.26A	4.98A	1111W	431V	-40°C/-40°F	D
277V	High	4.24A	1.10A	4.29A	1108W	430V	-40°C/-40°F	D



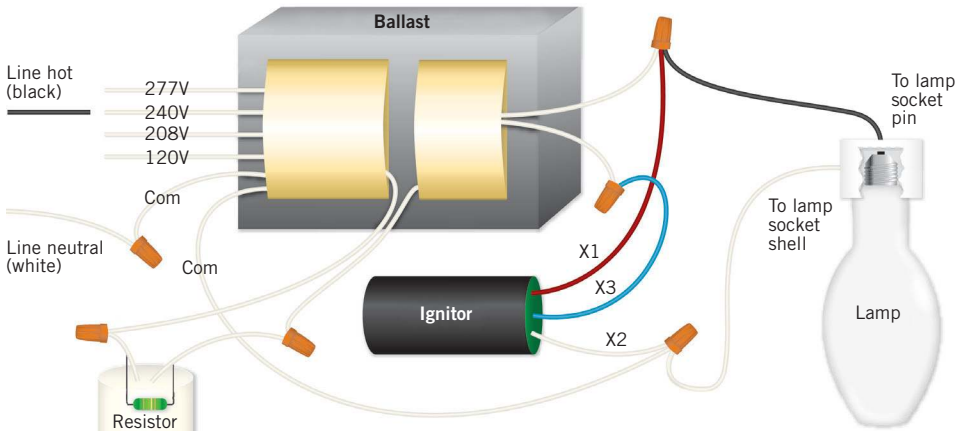
# HPS-1000A-Q-KIT

## 1000W HIGH PRESSURE SODIUM BALLAST KIT

### PHYSICAL SPECIFICATIONS

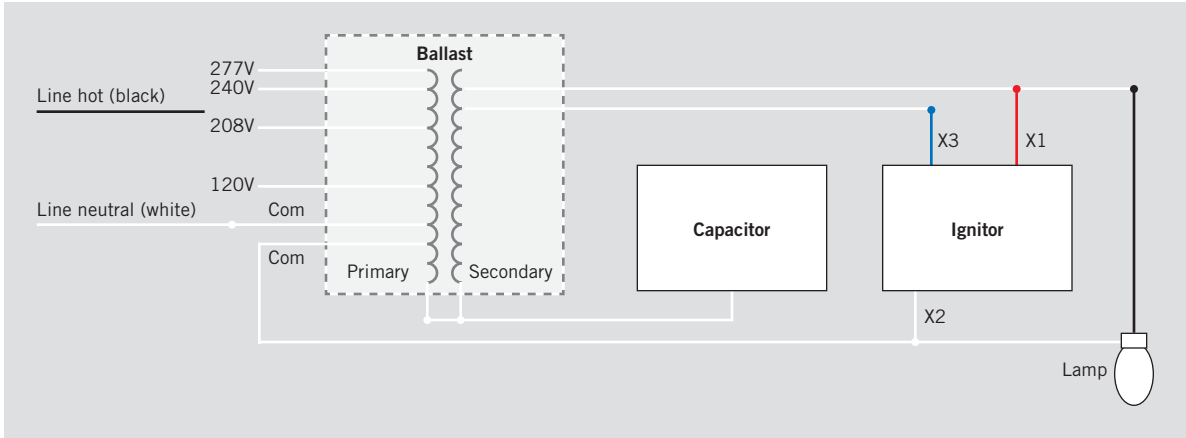


### WIRING SPECIFICATIONS



**Notes**  
 Cap all unused wires.  
 Lead lengths: 12-14"  
 Wire colors shown represent the most common configuration. Depending on the application and local code, slight differences may exist.

\*Capacitor is not optional on CWA models





# HPS-1000A-Q-KIT

## 1000W HIGH PRESSURE SODIUM BALLAST KIT

### ORDERING INFORMATION

ORDER CODE	PACK QTY.	ITEM STATUS
HPS-1000A-Q-KIT	1	Quick Ship

### CATALOG NUMBER BREAKDOWN

# HPS-1000A-Q-KIT

**1****2****3****4****5**

- 1** High Pressure Sodium
- 2** Input Power
- 3** CWA Circuit
- 4** 4-Tap
- 5** Ballast Kit