

LAMP TYPE: 250W High Pressure Sodium (S50) **INPUT VOLTAGE:** 5-Tap (120/208/240/277/480) **CIRCUIT TYPE:** CWA

PRODUCT FEATURES

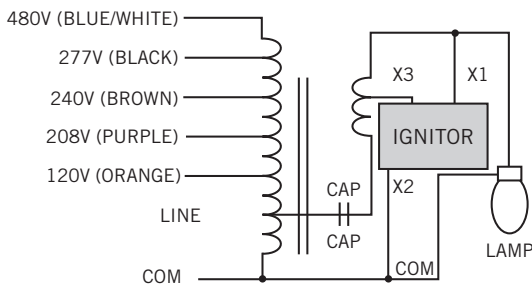
- ANSI Designation: S50
- Line Voltage: 120/208/240/277/480
- Regulation: 10%
- Frequency: 60 Hz
- Recommended Fuse (A): 7/4/4/3/2
- Circuit Type: CWA
- Insulation Class: 200°C
- Capacitor: 35 μ F
- Capacitor Voltage Rating: 240 V
- Capacitor Temperature Rating: 105°C
- Winding Materials: Cu/Al
- Lamp Starter: IGN-XG-02 /P
- Agency Certification: RU, cRU

ELECTRICAL SPECIFICATIONS

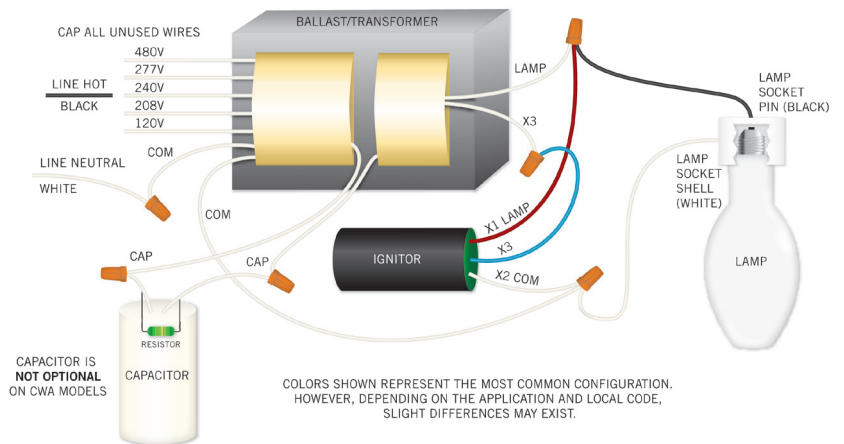
LINE VOLTAGE	POWER FACTOR	LINE CURRENT			INPUT POWER	OPEN CIRCUIT VOLTAGE	MINIMUM START TEMP	CLASS N 200°C UL TEMP CODE
		OPERATING	OPEN CIRCUIT	STARTING				
120V	High	2.60A	2.00A	1.40A	298V	185V	-40°F/-40°C	A
208V	High	1.50A	1.20A	0.80A	298V	185V	-40°F/-40°C	A
240V	High	1.30A	1.00A	0.70A	298V	185V	-40°F/-40°C	A
277V	High	1.10A	0.90A	0.60A	298V	185V	-40°F/-40°C	A
480V	High	0.60A	0.50A	0.40A	298V	185V	-40°F/-40°C	A

WIRING DIAGRAM

DIAGRAM H9



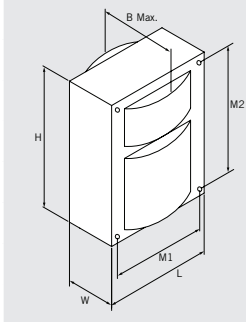
Input wires may be color coded as shown above or all white and labeled accordingly.



COLORS SHOWN REPRESENT THE MOST COMMON CONFIGURATION. HOWEVER, DEPENDING ON THE APPLICATION AND LOCAL CODE, SLIGHT DIFFERENCES MAY EXIST.

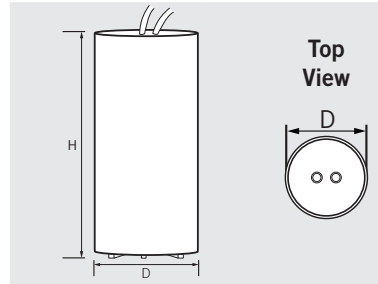
PHYSICAL SPECIFICATIONS

BALLAST SPECIFICATIONS



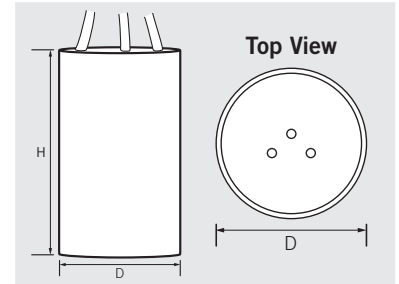
LENGTH	4.25"
WIDTH	1.97"
HEIGHT	4.75"
MOUNTING 1	3.875"
MOUNTING 2	4.375"
B MAX.	3.90"
NET WEIGHT	10.7 lbs
LEAD LENGTH	12-14"

CAPACITOR SPECIFICATIONS



DIAMETER	1.78"
HEIGHT	3.15"
TYPE	Dry Film

IGNITOR SPECIFICATIONS



DIAMETER	1.40"
HEIGHT	2.60"
TYPE	CWA

ORDERING INFORMATION

ORDER CODE	PACKAGING STYLE	PACK QTY.	ITEM STATUS
HPS-250A-P-KIT 3/1	Individually Packaged	1	Quick Ship

Each kit includes the ballast pre-wired to a properly rated capacitor and ignitor (if required), mounting hardware, and pictorial installation guide.

NOTE: Version P2 (Manufacturing Revision). Prior versions of this ballast exist. Spec sheets for prior versions available upon request. Contact Keystone for details.

CATALOG NUMBER BREAKDOWN

HPS-250A-P-KIT

High Pressure Sodium Input Power CWA Circuit 5-Tap Ballast Kit