



KT-CBLEDD34-14A-8XX-VDIM-P

CENTER BASKET FIXTURE

DESCRIPTION

1' x 4' 34W LED Center Basket Fixture | 120-277V Input | 0-10V Dimming | Premium Series

APPLICATION

Used for commercial recessed ceiling applications



PRODUCT FEATURES

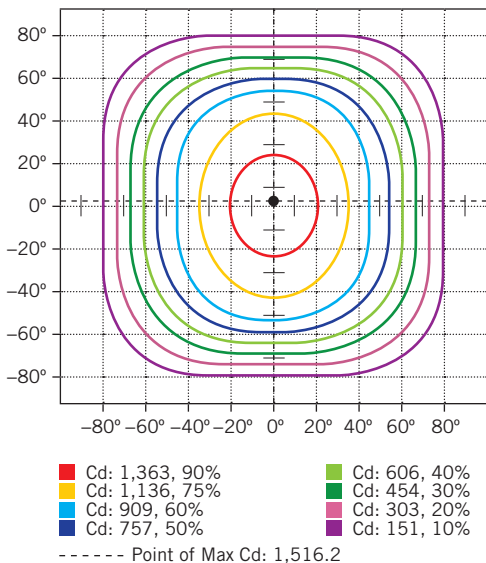
- Architectural grade center basket volumetric design
- Powered by Keystone 0-10V dimming LED drivers
- Smooth diffused lens for even appearance
- 0-10V dimming, 10% minimum
- Compatible with Keystone SmartSafe emergency backups
- Compatible with Keystone occupancy sensors
- Ambient operating temperature: -20°C/-4°F to 50°C/122°F
- UL Listed 1598: Suitable for dry and damp locations
- THD: <20%
- PF: >0.95
- LED chip lifetime: L70 >100,000 hrs @ 25°C/77°F ambient fixture temp.
- Low optical flicker

PRODUCT SPECIFICATIONS

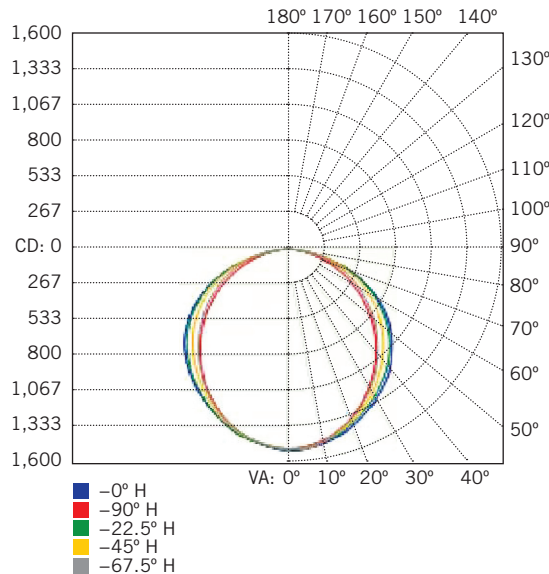
Catalog Number	Color Temperature	Nominal Length	Input Voltage	Wattage	CRI	Lumen Output	Efficacy
KT-CBLEDD34-14A-835-VDIM-P	3500K	1 ft. x 4 ft.	120-277V	34W	>82.0	4,215 L	124 lm/W
KT-CBLEDD34-14A-840-VDIM-P	4000K	1 ft. x 4 ft.	120-277V	34W	>82.0	4,320 L	127 lm/W
KT-CBLEDD34-14A-850-VDIM-P	5000K	1 ft. x 4 ft.	120-277V	34W	>82.0	4,390 L	129 lm/W

PHOTOMETRIC SPECIFICATIONS

ISOCANDELA PLOT



POLAR CANDELA DISTRIBUTION



ZONAL LUMEN SUMMARY

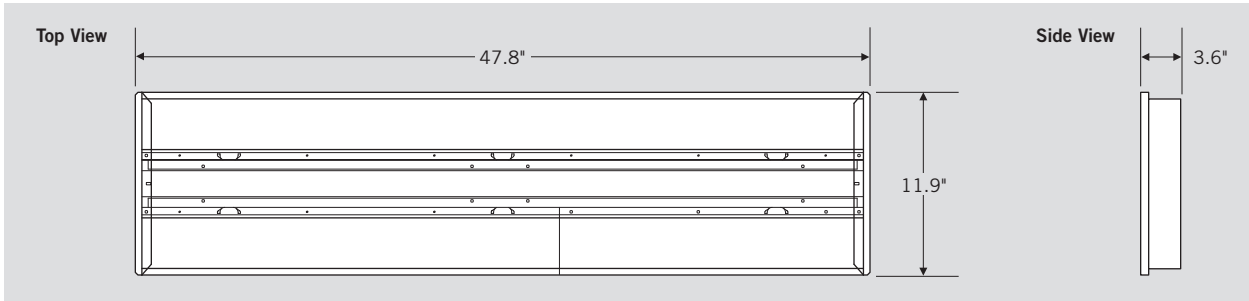
Zone	Lumens	% Luminaire
0-30	1,160.3	26.1%
0-40	1,904.8	42.8%
0-60	3,433.0	77.2%
60-90	1,000.1	22.5%
70-100	415.0	9.3%
90-120	4.7	0.1%
0-90	4,433.0	99.7%
90-180	14.0	0.3%
0-180	4,447.0	100%



KT-CBLED34-14A-8XX-VDIM-P

CENTER BASKET FIXTURE

PHYSICAL SPECIFICATIONS



ORDERING INFORMATION

ORDER CODE	PACKAGING STYLE	PACK QUANTITY	ITEM STATUS
KT-CBLED34-14A-835-VDIM-P-CP	Carton Pack	1	Active
KT-CBLED34-14A-840-VDIM-P-CP	Carton Pack	1	Active
KT-CBLED34-14A-850-VDIM-P-CP	Carton Pack	1	Active

CATALOG NUMBER BREAKDOWN

KT-CBLED34-14A-8XX-VDIM-P-CP

1 2 3 4 5 6 7 8 9 10

- 1 Keystone Technologies
- 2 Center Basket LED Fixture
- 3 Wattage
- 4 1' x 4' Nominal Size
- 5 Lamp Type
- 6 800 Series
- 7 Color Temperature
- 8 0-10V Dimming
- 9 Premium Series
- 10 Packaging Style