



KT-EMRG-LED-12-1200

CONSTANT WATTAGE LED EMERGENCY BACK-UP



DESCRIPTION

LED Emergency Back-Up Driver | 12W Output | 120-277V Input

DRIVER TYPE: Constant Wattage LED Emergency
MAX. OUTPUT POWER: 12W
INPUT VOLTAGE: 120-277Vac \pm 10%
OUTPUT VOLTAGE: 12~41 Vdc
OUTPUT CURRENT: 1000mA-200mA
WARRANTY: 5 Years



PRODUCT FEATURES

- Drives LED Loads at 12W (Nominal) for a Minimum of 90 Minutes
- Meets FCC Part 15 (Class B) Consumer Limits
- Short Circuit Overload and Open Load Protection
- Type 1 Outdoor, Suitable for Dry and Damp Locations
- Evaluated to UL 924 Standards
- Operating Temperature: 32°F/0°C to 122°F/50°C
- Input Frequency: 50/60 Hz
- Test Switch/ Charging Indicator Light
- Battery Pack with Quick Connect; NiCd or NiMH
- Battery Capacity: 3000mAh

Emergency pack does not meet CEC T20 requirements. Not to be sold or offered for sale in California, except when sold wholesale in California for final retail sale outside the state.

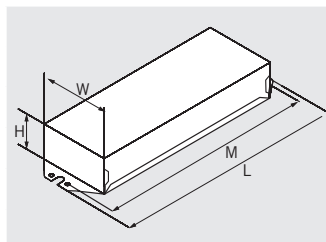
ELECTRICAL SPECIFICATIONS

Family	INPUT CHARACTERISTICS			OUTPUT CHARACTERISTICS		
	Input Voltage	Power Factor	Max. Current	Max. Output Power	Rated Output Current	Output Voltage
12W	120-277Vac	\geq 0.5	0.07A @ 120V	12W	1000mA-200mA	12~41Vdc

Emergency pack designed to deliver 12W to a constant current LED load. Approximate output is 1200 lumens assuming a nominal minimum efficacy of 100lm/W.

MECHANICAL SPECIFICATIONS

CASE DIMENSIONS



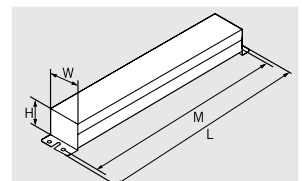
LENGTH	6.46"
WIDTH	1.37"
HEIGHT	1.00"
MOUNTING	6.00"
CASE STYLE	L7
CASE MATERIAL	METAL

STANDARD LEAD LENGTHS*

WHITE	12"
BLACK	12"
WHITE/BLACK	12"
RED	24"
BLUE	24"
BROWN	24"

*Consult Keystone for special lead length requirements.
Lead wires are 18 AWG 105°C/600V.

BATTERY SIZE



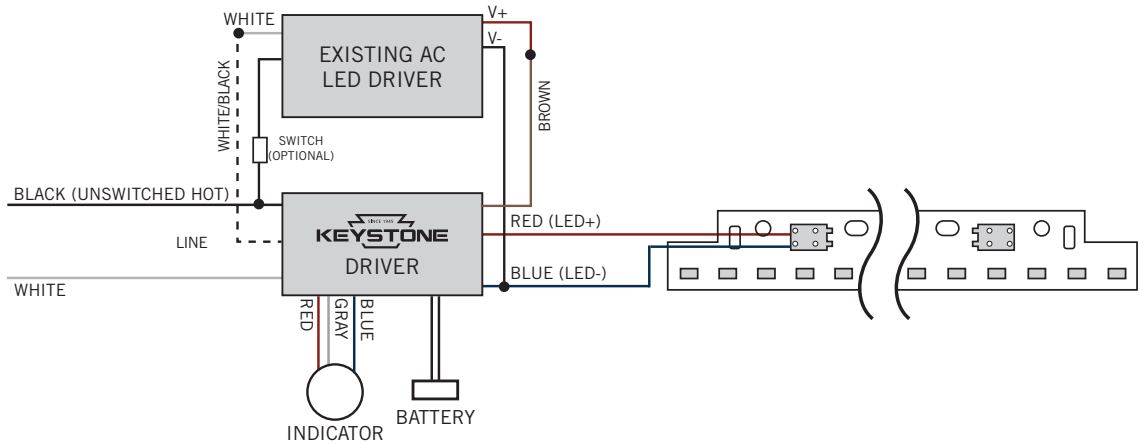
LENGTH	9.45"
WIDTH	2.23"
HEIGHT	1.02"
MOUNTING	8.91"



KT-EMRG-LED-12-1200

CONSTANT WATTAGE LED EMERGENCY BACK-UP

WIRING DIAGRAM



ORDERING INFORMATION

ORDER CODE	DESCRIPTION	PACKAGING STYLE	PACK QTY.	ITEM STATUS
KT-EMRG-LED-12-1200-IP	LED Emergency Driver with Battery	Individually Packaged	1	Coming Soon

CATALOG NUMBER BREAKDOWN

KT-EMRG-LED-12-1200

1
2
3
4
5

- 1** Keystone Technologies
- 2** Emergency Back-up Driver
- 3** LED Driver
- 4** Wattage Family
- 5** Nominal Lumen Output