



# KT-EMRG-LED-12-1200 /NB

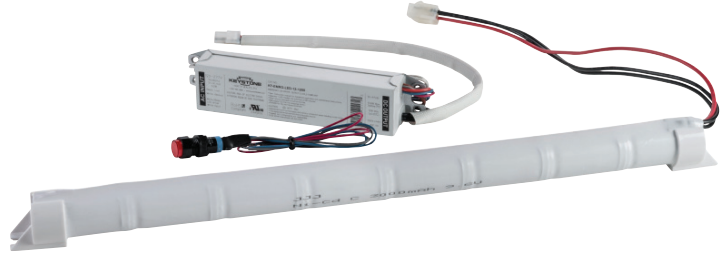
## CONSTANT WATTAGE LED EMERGENCY BACK-UP

### DESCRIPTION

LED Emergency Back-Up Driver | 12W Output | 120–277V Input



<b>DRIVER TYPE:</b> Constant Wattage LED Emergency
<b>MAX. OUTPUT POWER:</b> 12W
<b>INPUT VOLTAGE:</b> 120–277Vac $\pm$ 10%
<b>OUTPUT VOLTAGE:</b> 20–54Vdc
<b>OUTPUT CURRENT:</b> 550–245mA
<b>WARRANTY:</b> 5 Years



### PRODUCT FEATURES

- Drives LED loads at 12W (nominal) for a minimum of 90 minutes
- Meets FCC Part 15 (Class B) consumer limits
- Short circuit overload and open load protection
- Suitable for dry and damp locations
- Evaluated to UL 924 standards
- Operating temperature: 0°C/32°F to 50°C/122°F
- Listed for field or factory installation: UL 924 and CSA C22.2 no. 141 emergency lighting compliant
- Input frequency: 50/60 Hz
- Test switch/Charging indicator light
- Battery pack with quick connect: NiCd
- Battery capacity: 3000mAh
- 3A max. pass-through current

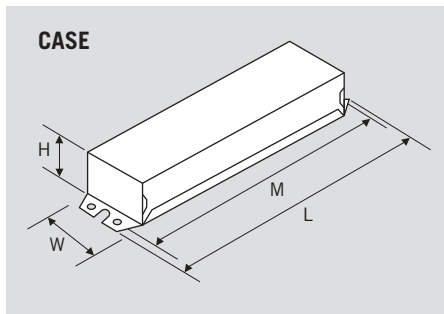
*Emergency Pack does not meet CEC T20 requirements. Not to be sold or offered for sale in California, except when sold wholesale in California for final retail sale outside the state.*

### ELECTRICAL SPECIFICATIONS

Family	INPUT CHARACTERISTICS			OUTPUT CHARACTERISTICS		
	Input Voltage	Power Factor	Max. Current	Max. Output Power	Rated Output Current	Output Voltage
12W	120–277Vac	$\geq$ 0.5	0.051A @ 120V	12W	550mA–245mA	20–54Vdc

*Emergency pack designed to deliver 12W to a constant current LED load. Approximate output is 1200 lumens, assuming a nominal minimum efficacy of 100 lm/W.*

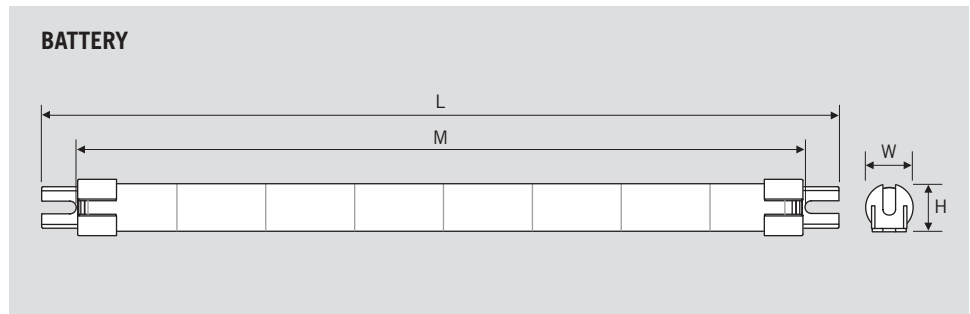
### MECHANICAL SPECIFICATIONS



#### CASE DIMENSIONS

L (Length)	6.46"
W (Width)	1.37"
H (Height)	1.00"
M (Mounting)	6.00"

Case Style: L7  
Case Material: Metal



#### BATTERY DIMENSIONS

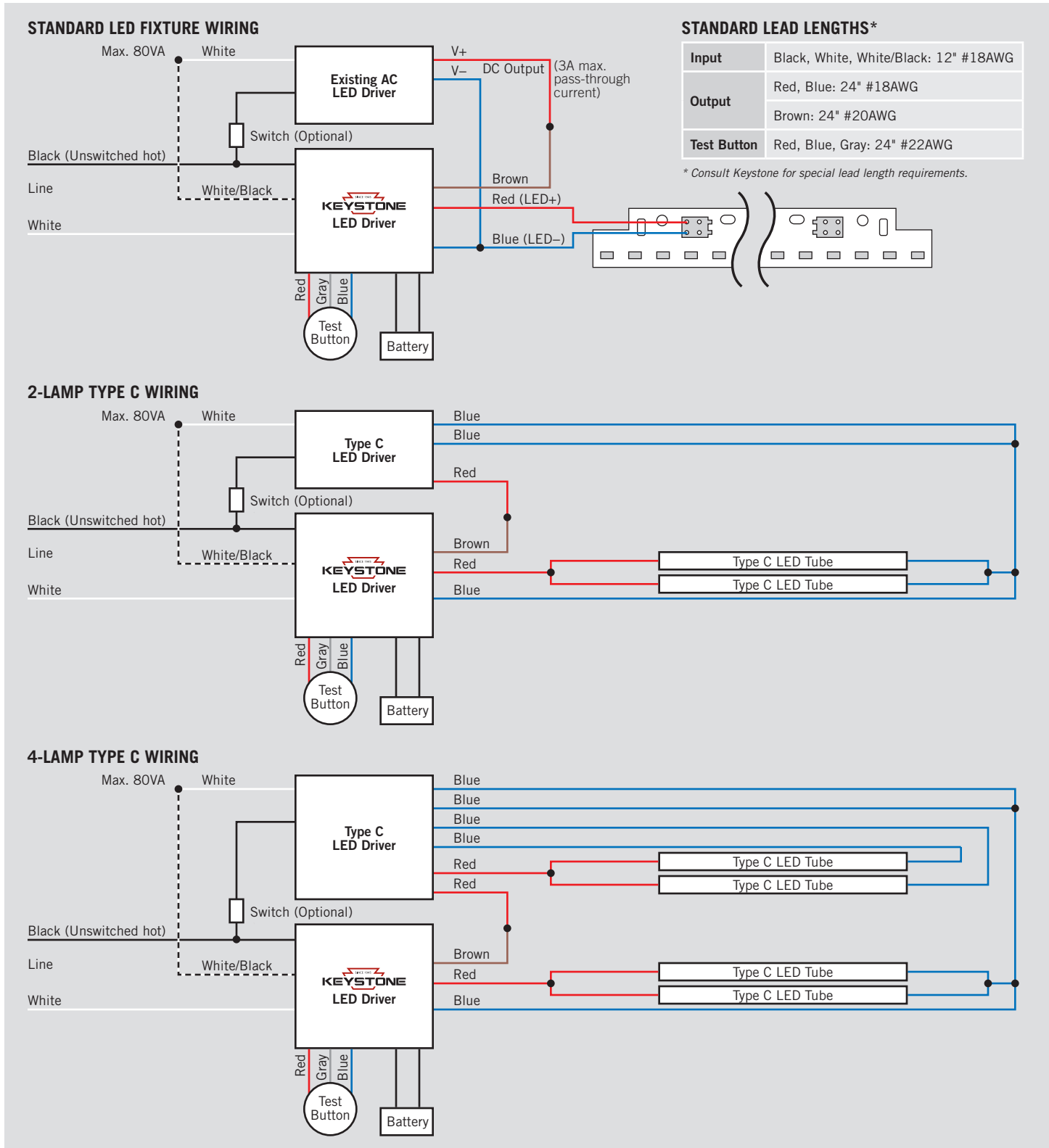
L (Length)	16.73"
W (Width)	1.14"
H (Height)	1.10"
M (Mounting)	16.02"



# KT-EMRG-LED-12-1200 /NB

## CONSTANT WATTAGE LED EMERGENCY BACK-UP

### WIRING SPECIFICATIONS





# KT-EMRG-LED-12-1200 /NB

CONSTANT WATTAGE LED EMERGENCY BACK-UP

### ORDERING INFORMATION

ORDER CODE	DESCRIPTION	PACKAGING STYLE	PACK QUANTITY	ITEM STATUS
KT-EMRG-LED-12-1200 /NB-IP	LED Emergency Driver with Battery	Individually Packaged	1	Active

### CATALOG NUMBER BREAKDOWN

# KT-EMRG-LED-12-1200 /NB-IP

1
2
3
4
5
6
7

- 1 Keystone Technologies
- 2 Emergency Back-up Driver
- 3 LED Driver
- 4 Wattage Family
- 5 Nominal Lumen Output
- 6 Narrow Battery
- 7 Packaging Style