



# KT-LED110HID-H-EX39-830-D /G3

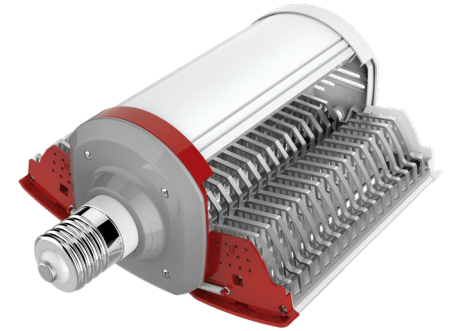
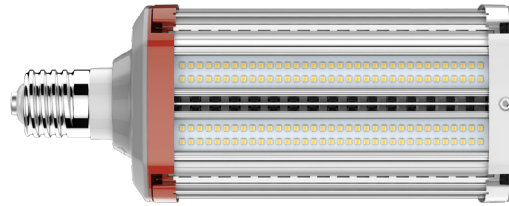
## HID REPLACEMENT LED LAMP

### DESCRIPTION

110W HID Replacement LED Lamp | 3000K | 85 CRI | IP64 Rated



<b>LAMP TYPE:</b> HID Replacement LED
<b>BASE TYPE:</b> EX39 (Mogul) Rotatable
<b>WATTAGE:</b> 110W
<b>COLOR TEMPERATURE:</b> 3000K
<b>METAL HALIDE EQUIVALENT:</b> 400W
<b>COLOR RENDERING INDEX (CRI):</b> 85
<b>WARRANTY:</b> 5 Years



### PRODUCT FEATURES

- Replacement for conventional metal halide lamp
- Ideal for shoebox and canopy retrofit applications
- Do not use with standard dimmers; see instructions
- 50,000+ hour lifetime
- Environmentally friendly: No mercury used
- Instant startup
- UL Listed; listed on DLC QPL
- Optimized for horizontal applications with directional light output from opening LED assembly construction
- Operating temperature:  $-30^{\circ}\text{C}$  to  $60^{\circ}\text{C}$  /  $-22^{\circ}\text{F}$  to  $140^{\circ}\text{F}$  in enclosed fixture.\*
- Exceeding  $30^{\circ}\text{C}$  /  $86^{\circ}\text{F}$  in fully enclosed fixtures will engage active cooling and power de-rating to ensure full product lifetime
- Integral driver, eliminates the need for external driver or ballast; includes 4kV surge protection
- IP64 Rated; integrated heat sink quickly dissipates heat and guides water intrusion out of the lamp
- Suitable for use in fully enclosed fixture

\*Lamp may enter SmartCooling mode in order to optimize lamp performance when fixture environmental ambient temperature reaches  $35^{\circ}\text{C}$ – $45^{\circ}\text{C}$  /  $95^{\circ}\text{F}$ – $113^{\circ}\text{F}$ , depending on the fixture type. During this condition, lamp power consumption and lumen output may be regulated up 20% less than standard operation.

### OPERATING SPECIFICATIONS

#### ELECTRICAL CHARACTERISTICS

Input Voltage	Power Consumption	Power Factor	Input Current
120–277Vac	110W	>0.9	0.92A @ 120V 0.40A @ 277V

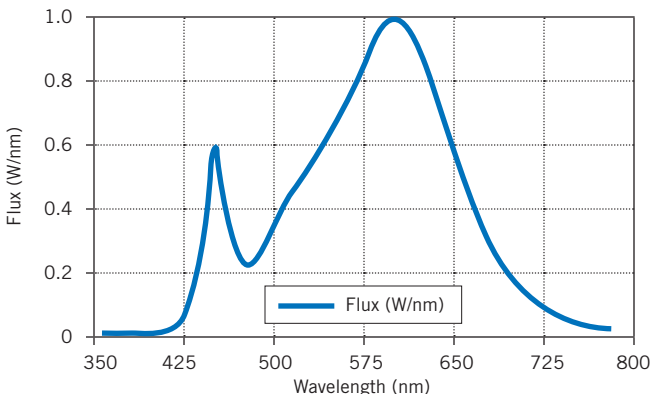
#### RATED LIFE

L70 (Hours)	50,000
-------------	--------

#### PHOTOMETRIC CHARACTERISTICS

Color Temperature (CCT)	3000K
Luminous Flux	15400 lm
Color Rendering Index (CRI)	85
Efficacy	140 lm/W
Beam Angle	180°

#### SPECTRAL DISTRIBUTION



#### SMART PORT LED

Low voltage AUX port for Smart Port LED sensors.





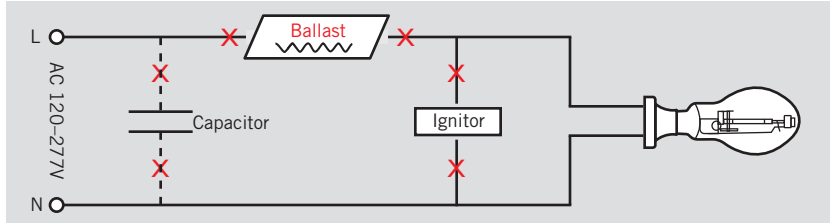
# KT-LED110HID-H-EX39-830-D /G3

## HID REPLACEMENT LED LAMP

### WIRING INSTRUCTIONS

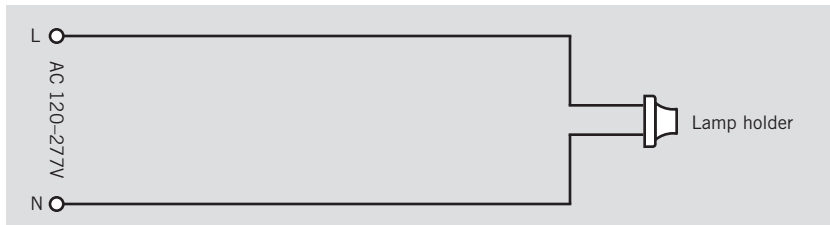
#### STEP 1

**Disconnect power.** Disconnect and remove existing ballast, capacitor, and/or ignitor (where applicable) from fixture.



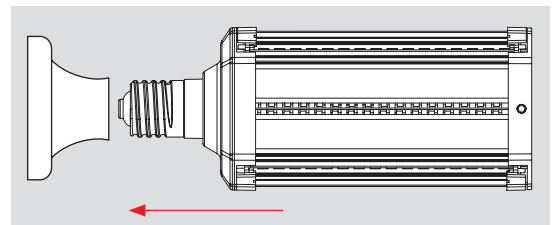
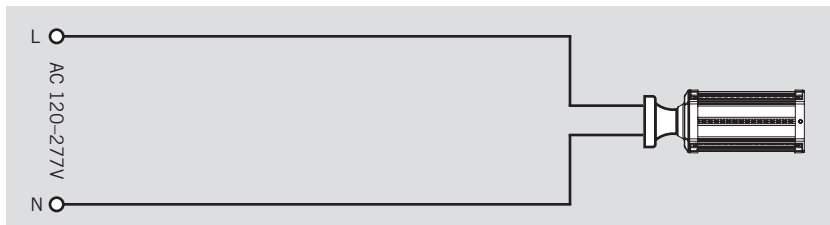
#### STEP 2

Rewire for line voltage to the lamp socket.



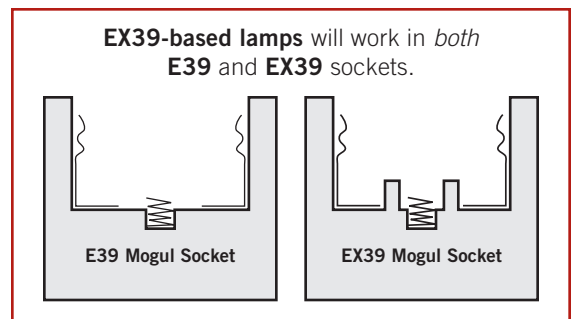
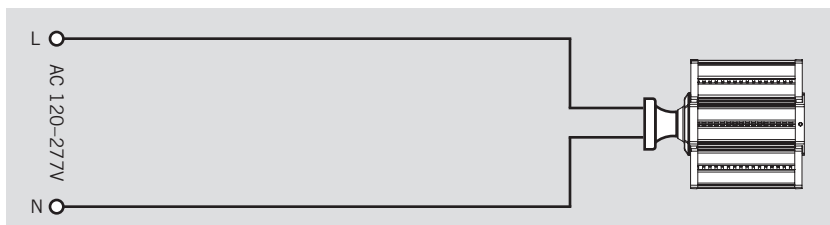
#### STEP 3

Install new LED replacement lamp. Ensure lamp is operating properly when power is turned on.



#### STEP 4

Rotate lamp base and open wings accordingly toward direction of desired lumination.  
*Note:* The lamp will not illuminate until wings are open





# KT-LED110HID-H-EX39-830-D /G3

## HID REPLACEMENT LED LAMP

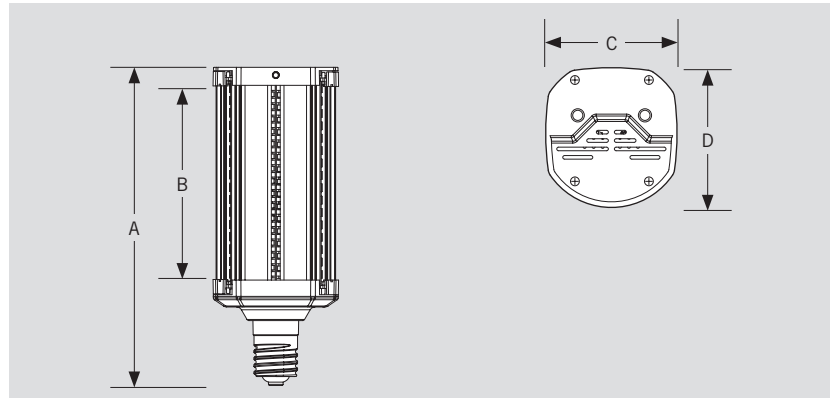
### PHYSICAL CHARACTERISTICS

#### LAMP DIMENSIONS

##### Wings Closed

A (Body Length)	11.13"
B (Illuminated Length)	6.83"
C (Width)	4.39"
D (Height)	4.66"

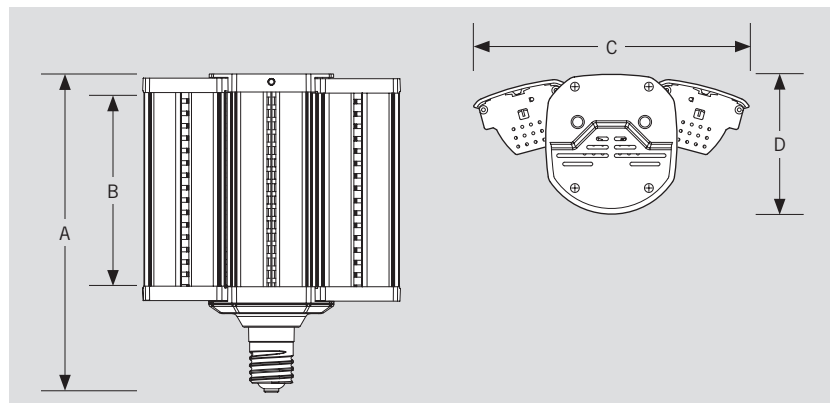
Base Type: EX39 (Mogul) Rotatable



##### Wings Open

A (Body Length)	11.13"
B (Illuminated Length)	6.83"
C (Width)	9.02"
D (Height)	4.66"

Base Type: EX39 (Mogul) Rotatable



### OPTIONAL ACCESSORIES

CATALOG NUMBER	DESCRIPTION
KTS-MW1-12V-AUX	SmartPort LED Microwave Occupancy sensor. On/Off with adjustable standby dimming level. 12V input, 3.5mm standard AUX port connection method
KTS-PIR1-12V-AUX	SmartPort LED PIR Occupancy sensor. On/Off with adjustable standby dimming level. 12V input, 3.5mm standard AUX port connection method
KTS-PS1-12V-AUX	SmartPort LED Photocell. On/Off with adjustable daylight threshold and timing. 12V input, 3.5mm standard AUX port connection method

### ORDERING INFORMATION

ORDER CODE	PACKAGING STYLE	PACK QTY.	ITEM STATUS
KT-LED110HID-H-EX39-830-D /G3-DP	Distributor Pack (Individual Cartons)	16	Quick Ship

### CATALOG NUMBER BREAKDOWN

# KT-LED110HID-H-EX39-830-D /G3

1	2	3	4	5	6	7	8	9	10
---	---	---	---	---	---	---	---	---	----

- 1 Keystone Technologies
- 2 LED Lamp
- 3 Wattage
- 4 Lamp Type
- 5 Horizontal Orientation
- 6 Base Type
- 7 800 Series
- 8 Color Temperature
- 9 Direct Drive Series
- 10 Third Generation