



# ESSENTIAL SERIES

GENERAL PURPOSE LED BULBS

## KT-LED6.5MR16-S-8XX-GU10 REPLACEMENT LAMP

### DESCRIPTION

6.5W MR16 Lamp | 2700–5000K | >80 CRI | Spot Light



**2 YEAR**  
WARRANTY

<b>LAMP TYPE:</b> MR16
<b>BASE TYPE:</b> GU10
<b>WATTAGE:</b> 6.5W
<b>COLOR TEMPERATURE:</b> 2700–5000K
<b>COLOR RENDERING INDEX (CRI):</b> >80
<b>WARRANTY:</b> 2 Years
<b>RATED LIFE:</b> L70 (15,000 Hours)



### TYPICAL APPLICATIONS

- Track Lighting
- Outdoor Landscape (with suitable protection from the elements)
- Display
- Undercabinet

### PRODUCT FEATURES

- Energy Efficient, 80%+ Energy Savings over Legacy Equivalents
- Lower Heat Generation than Legacy Equivalents
- Rated for open and recessed fixtures
- PF >0.70
- Complies with Part 15 of FCC
- Smooth, uniform dimming
- Precision crafted full face optics for precise beam angle control
- UL Listed
- Operating temperature range –4°F/–20°C to 95°F/35°C
- Long Life minimizes replacement and maintenance costs
- ANSI complaint construction ensures fitment for intended applications
- Meets Energy Star requirements
- Durable Plastic housing lowers the risk for breakage
- Compatible with Keystone Low Voltage Transformers

### ELECTRICAL AND PERFORMANCE SPECIFICATIONS

Keystone Catalog Number	Description	Color Temp	Input Voltage	Rated Lamp Wattage	Legacy Equivalent Wattage	Base Type	Lumens	CRI	Light Distribution	Dimmable	Efficacy
KT-LED6.5MR16-S-827-GU10	MR16 bulb.Spot light, dimmable	2700K	120V	6.5W	50W halogen	GU10	500	>80	40°	Yes	77 lm/W
KT-LED6.5MR16-S-830-GU10	MR16 bulb.Spot light, dimmable	3000K	120V	6.5W	50W halogen	GU10	500	>80	40°	Yes	77 lm/W
KT-LED6.5MR16-S-840-GU10	MR16 bulb.Spot light, dimmable	4000K	120V	6.5W	50W halogen	GU10	500	>80	40°	Yes	77 lm/W
KT-LED6.5MR16-S-850-GU10	MR16 bulb.Spot light, dimmable	5000K	120V	6.5W	50W halogen	GU10	500	>80	40°	Yes	77 lm/W



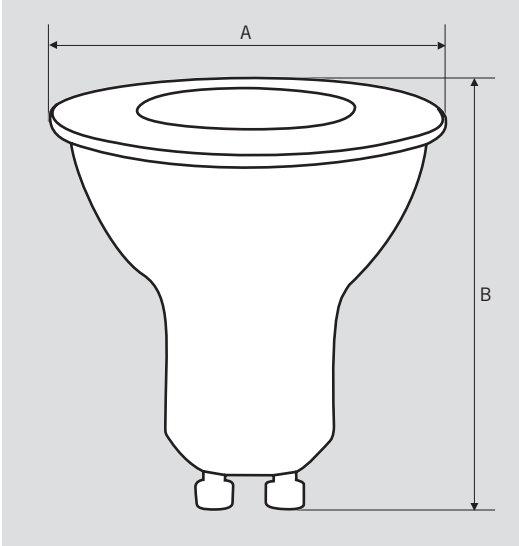
# ESSENTIAL SERIES

GENERAL PURPOSE LED BULBS

## KT-LED6.5MR16-S-8XX-GU10

REPLACEMENT LAMP

### PHYSICAL CHARACTERISTICS



### PACKAGING

Carton Quantity	60 pcs
Carton Dimensions	12.95" x 10.91" x 6.54"
Carton Weight	9.5 lbs

### LAMP DIMENSIONS

A (Diameter)	1.97"
B (Length)	2.19"

BASE TYPE: GU10

### ORDERING INFORMATION

ORDER CODE	CARTON QUANTITY	ITEM STATUS
KT-LED6.5MR16-S-8XX-GU10	60 pcs	Active

### CATALOG NUMBER BREAKDOWN

# KT-LED6.5MR16-S-8XX-GU10

1 2 3 4 5 6 7 8

- 1 Keystone Technologies
- 2 LED Lamp
- 3 Wattage
- 4 Lamp Shape
- 5 Narrow Spot Light
- 6 800 Series
- 7 Color Temperature
- 8 Base Type