



ESSENTIAL SERIES

GENERAL PURPOSE LED BULBS

KT-LED6MR16-S-8XX

REPLACEMENT LAMP

DESCRIPTION

6W MR16 Lamp | 2700–5000K | >80 CRI | Spot Light



3YEAR
WARRANTY

LAMP TYPE: MR16
BASE TYPE: GU5.3
WATTAGE: 6W
COLOR TEMPERATURE: 2700–5000K
COLOR RENDERING INDEX (CRI): >80
WARRANTY: 3 Years
RATED LIFE: L70 (25,000 Hours)



TYPICAL APPLICATIONS

- Track Lighting
- Display
- Undercabinet
- Outdoor Landscape (with suitable protection from the elements)

PRODUCT FEATURES

- Energy Efficient, 80%+ Energy Savings over Legacy Equivalents
- Lower Heat Generation than Legacy Equivalents
- Rated for open and recessed fixtures
- PF >0.90
- Complies with Part 15 of FCC
- Smooth, uniform dimming
- Precision crafted full face optics for precise beam angle control
- Compatible with Keystone Low Voltage Transformers
- Operating temperature range –4°F/–20°C to 95°F/35°C
- Long Life minimizes replacement and maintenance costs
- ANSI complaint construction ensures fitment for intended applications
- Meets Energy Star requirements
- UL Listed
- Durable Plastic housing lowers the risk for breakage

ELECTRICAL AND PERFORMANCE SPECIFICATIONS

Keystone Catalog Number	Description	Color Temp	Input Voltage	Rated Lamp Wattage	Legacy Equivalent Wattage	Base Type	Lumens	CRI	Light Distribution	Dimmable	Efficacy
KT-LED6MR16-S-827	MR16 bulb. Spot light, dimmable	2700K	12V	6W	35W halogen	GU5.3	450	>80	35°	Yes	75 lm/W
KT-LED6MR16-S-830	MR16 bulb. Spot light, dimmable	3000K	12V	6W	35W halogen	GU5.3	450	>80	35°	Yes	75 lm/W
KT-LED6MR16-S-840	MR16 bulb. Spot light, dimmable	4000K	12V	6W	35W halogen	GU5.3	450	>80	35°	Yes	75 lm/W
KT-LED6MR16-S-850	MR16 bulb. Spot light, dimmable	5000K	12V	6W	35W halogen	GU5.3	450	>80	35°	Yes	75 lm/W



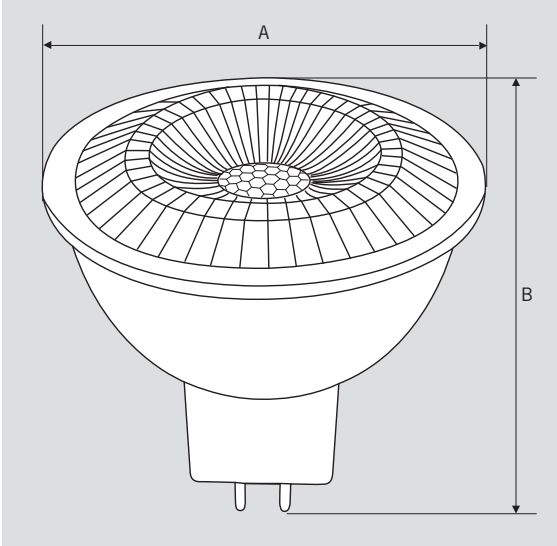
ESSENTIAL SERIES

GENERAL PURPOSE LED BULBS

KT-LED6MR16-S-8XX

REPLACEMENT LAMP

PHYSICAL CHARACTERISTICS



PACKAGING

Carton Quantity	60 pcs
Carton Dimensions	12.95" × 10.91" × 6.54"
Carton Weight	8.5 lbs

LAMP DIMENSIONS

A (Diameter)	1.97"
B (Length)	1.91"

BASE TYPE: GU5.3

ORDERING INFORMATION

ORDER CODE	CARTON QUANTITY	ITEM STATUS
KT-LED6MR16-S-8XX	60 pcs	Active

CATALOG NUMBER BREAKDOWN

KT-LED6MR16-S-8XX

1 2 3 4 5 6 7

- 1 Keystone Technologies
- 2 LED Lamp
- 3 Wattage
- 4 Lamp Shape
- 5 Spot Light
- 6 800 Series
- 7 Color Temperature