

## KTAG-33L-1050-30-8XX-RJ

### HIGH EFFICACY LINEAR LED MODULE

#### DESCRIPTION

High efficacy linear LED modules pre-mounted into aluminum extension via a patented manufacturing method, 33" Long.

RoHS Compliant **5 YEAR WARRANTY**



**MODULE TYPE:** Linear

**MAX MODULE POWER:** 31.3W

**MAX DRIVE CURRENT:** 1050mA

**COLOR RENDERING INDEX (CRI):** >80

**RECOMMENDED WIRING:** Parallel Connection

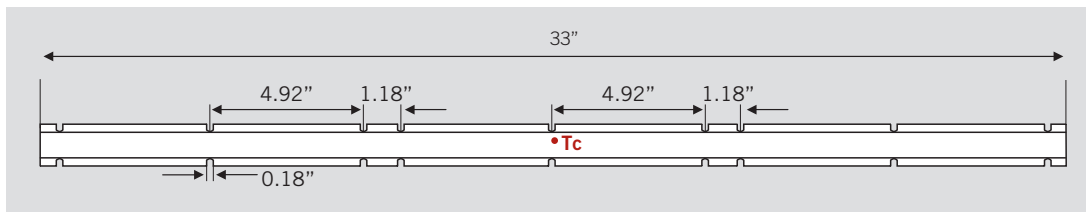
**WARRANTY:** 5 Years

#### PRODUCT FEATURES

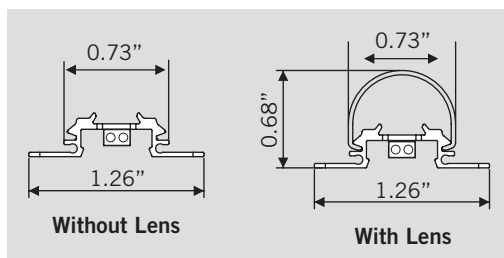
- For Use in Class 2 Lighting Systems Only
- High Lumen Density Design, Approx 1500 lm/ft
- Optional Lens Accessory
- Completely Heat Sunked, No Additional Heat Sinking Needed to maintain LED lifetime
- Low Profile, Push-In Connectors
- Made with UL Recognized Components
- 5-Step Color Binning
- 2835 LED Chip Package
- Reported Life Expectancy: L70 >54,000 hours at 85°C | L90 48,000 hours at 85°C
- Calculated Life Expectancy: L70 > 160,000 hours at 85°C | L90 48,000 hours at 85°C
- Beam Angle: 120°
- Linkable in parallel with other length AlumaGroove Modules

#### PHYSICAL SPECIFICATIONS

##### Top View



##### Side View



# KTAG-33L-1050-30-8XX-RJ

## HIGH EFFICACY LINEAR LED MODULE

### PERFORMANCE SPECIFICATIONS

Drive Current mA	Volts	Watts	3000K				3500K				4000K				5000K			
			WITHOUT LENS		WITH LENS		WITHOUT LENS		WITH LENS		WITHOUT LENS		WITH LENS		WITHOUT LENS		WITH LENS	
			Flux	Efficacy lm/W	Flux	Efficacy lm/W	Flux	Efficacy lm/W	Flux	Efficacy lm/W	Flux	Efficacy	Flux	Efficacy lm/W	Flux	Efficacy	Flux	Efficacy lm/W
1050	29.828	31.3	4178	133	3567	112	4220	134.7	3602.9	115.0	4263	136.1	3639.3	116.2	4350	138.9	3713.6	118.6
1012.5	29.710	30.1	4059	135	3396	113	4100	136.3	3465.6	115.2	4141	137.7	3536.4	117.6	4226	140.5	3608.5	120.0
975	29.596	28.9	3936	136	3297	114	3975	137.8	3364.1	116.6	4016	139.2	3432.7	119.0	4098	142.0	3502.8	121.4
937.5	29.484	27.6	3813	138	3192	115	3852	139.3	3257.1	117.8	3890	140.7	3323.6	120.2	3970	143.6	3391.4	122.7
900	29.369	26.4	3687	139	3090	117	3724	140.9	3152.6	119.3	3762	142.3	3216.9	121.7	3838	145.2	3282.6	124.2
862.5	29.254	25.2	3560	141	2985	118	3596	142.5	3046.4	120.7	3632	144.0	3108.5	123.2	3706	146.9	3172.0	125.7
825	29.139	24.0	3432	143	2879	120	3467	144.2	2937.8	122.2	3502	145.7	2997.7	124.7	3573	148.6	3058.9	127.2
787.5	29.028	22.9	3298	144	2769	121	3331	145.7	2825.8	123.6	3365	147.2	2883.5	126.1	3433	150.2	2942.3	128.7
750	28.905	21.7	3164	146	2655	122	3196	147.4	2709.4	125.0	3228	148.9	2764.7	127.5	3294	152.0	2821.2	130.1
712.5	28.785	20.5	3025	147	2541	124	3056	149.0	2592.9	126.4	3086	150.5	2645.8	129.0	3149	153.6	2699.8	131.6
675	28.659	19.3	2885	149	2427	125	2914	150.6	2476.6	128.0	2944	152.2	2527.2	130.6	3004	155.3	2578.7	133.3
637.5	28.540	18.2	2743	151	2305	127	2771	152.3	2351.9	129.3	2799	153.8	2399.9	131.9	2856	157.0	2448.9	134.6
600	28.411	17.0	2601	153	2183	128	2627	154.1	2227.4	130.7	2654	155.7	2272.9	133.3	2708	158.9	2319.2	136.1
562.5	28.281	15.9	2453	154	2063	130	2478	155.8	2105.0	132.3	2503	157.4	2148.0	135.0	2554	160.6	2191.8	137.8
525	28.170	14.8	2322	157	1951	132	2345	158.6	1990.4	134.6	2369	160.2	2031.0	137.3	2417	163.5	2072.5	140.1
487.5	28.045	13.7	2171	159	1824	133	2192	160.4	1861.1	136.1	2215	162.0	1899.1	138.9	2260	165.3	1937.9	141.7
450	27.905	12.6	2017	161	1695	135	2037	162.2	1729.7	137.7	2058	163.9	1765.0	140.6	2100	167.2	1801.1	143.4
412.5	27.764	11.5	1860	162	1564	137	1879	164.1	1595.8	139.3	1898	165.7	1628.3	142.2	1937	169.1	1661.6	145.1
375	27.624	10.4	1702	164	1431	138	1719	165.9	1460.1	141.0	1736	167.6	1489.9	143.8	1772	171.0	1520.3	146.8

\* Nominal Values Shown. Actual Values May Vary Based on Tolerances and Ambient Temperature.

Circuit Layout	
No. of LED's in Series	No. of LED's in Parallel
10	12

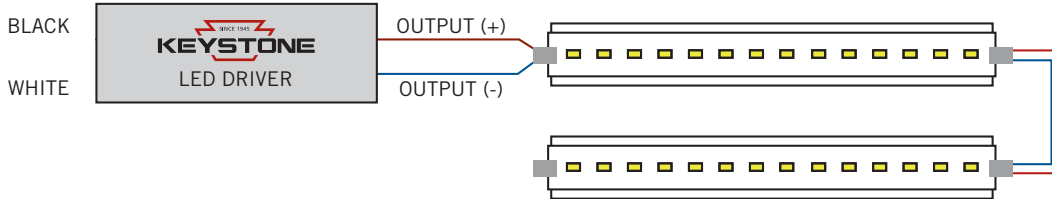
### ACCESSORIES

Lens	KTAG-33L-LENS*
------	----------------

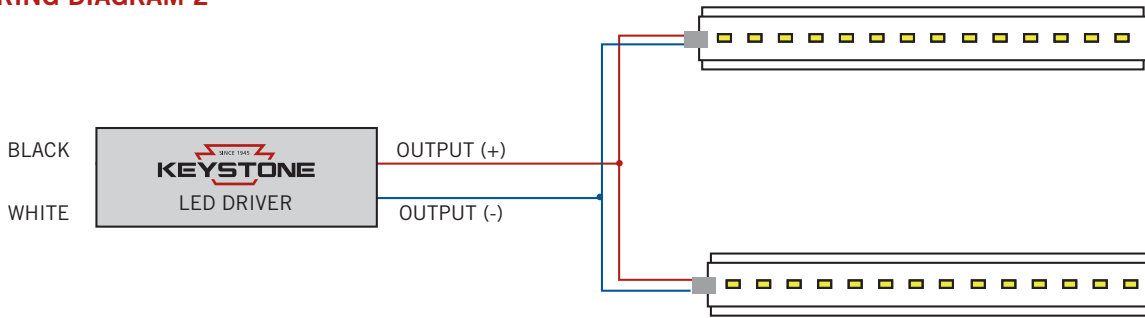
\*Polycarbonate, Flammability Rating V-2

**KTAG-33L-1050-30-8XX-RJ**  
HIGH EFFICACY LINEAR LED MODULE

**WIRING DIAGRAM 1**



**WIRING DIAGRAM 2**



**CATALOG NUMBER BREAKDOWN**

**KTAG-33L-1050-30-8XX-RJ**

1

2

3

4

5

6

7

- 1 Keystone Technologies AlumaGroove
- 2 Nominal Length
- 3 Max. Drive Current
- 4 Nominal Forward Voltage
- 5 800 Series
- 6 Color Temperature
- 7 Rear-Junction Connection