



ALUMAGROOVE®

KTAG-33L-1050-30-9XX-RJ HIGH EFFICACY LINEAR LED MODULE

DESCRIPTION

High efficacy linear LED modules pre-mounted into aluminum extension via a patented manufacturing method, 33" Long.



MODULE TYPE: Linear
MAX MODULE POWER: 31.3W
MAX DRIVE CURRENT: 1050mA
COLOR RENDERING INDEX (CRI): >90
RECOMMENDED WIRING: Parallel Connection
WARRANTY: 5 Years

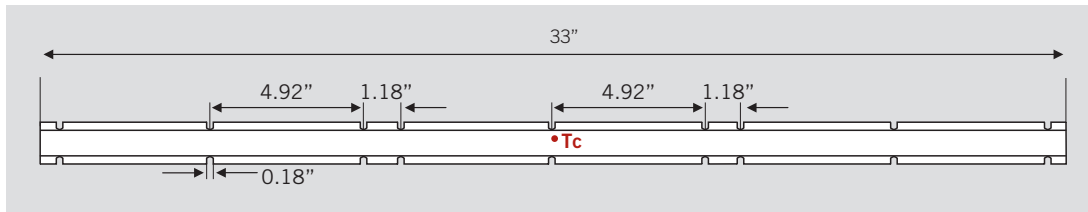


PRODUCT FEATURES

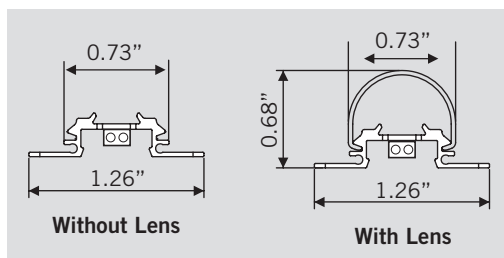
- For Use in Class 2 Lighting Systems Only
- High CRI for Truer Color Rendering
- Optional Lens Accessory
- Completely Heat Sunked, No Additional Heat Sinking Needed to maintain LED lifetime
- Low Profile, Push-In Connectors
- Made with UL Recognized Components
- 5-Step Color Binning
- 2835 LED Chip Package
- Reported Life Expectancy: L70 >54,000 hours at 85°C | L90 48,000 hours at 85°C
- Calculated Life Expectancy: L70 >160,000 hours at 85°C | L90 48,000 hours at 85°C
- Beam Angle: 120°
- Linkable in parallel with different length AlumaGroove Modules

PHYSICAL SPECIFICATIONS

Top View



Side View



KTAG-33L-1050-30-9XX-RJ

HIGH EFFICACY LINEAR LED MODULE

PERFORMANCE SPECIFICATIONS

Drive Current mA	Volts	Watts	2700K				3000K				4000K				5000K			
			WITHOUT LENS		WITH LENS		WITHOUT LENS		WITH LENS		WITHOUT LENS		WITH LENS		WITHOUT LENS		WITH LENS	
			Flux	Efficacy lm/W	Flux	Efficacy lm/W	Flux	Efficacy lm/W	Flux	Efficacy lm/W	Flux	Efficacy	Flux	Efficacy lm/W	Flux	Efficacy	Flux	Efficacy lm/W
1050	29.828	31.3	3516	112.2	3001	95.8	3533	112.8	3017	96.3	3623	115.7	3093	98.8	3697	118.0	3157	100.8
1012.5	29.710	30.1	3416	113.5	2887	96.0	3433	114.1	2902	96.5	3520	117.0	3006	99.9	3592	119.4	3067	102.0
975	29.596	28.9	3312	114.8	2802	97.1	3328	115.3	2817	97.6	3413	118.3	2918	101.1	3483	120.7	2977	103.2
937.5	29.484	27.6	3209	116.1	2713	98.2	3225	116.7	2727	98.7	3307	119.6	2825	102.2	3374	122.1	2883	104.3
900	29.369	26.4	3102	117.4	2626	99.4	3118	118.0	2639	99.9	3197	121.0	2734	103.4	3263	123.4	2790	105.6
862.5	29.254	25.2	2996	118.7	2538	100.6	3011	119.3	2551	101.1	3087	122.4	2642	104.7	3150	124.9	2696	106.9
825	29.139	24.0	2888	120.1	2447	101.8	2902	120.7	2460	102.3	2976	123.8	2548	106.0	3037	126.3	2600	108.2
787.5	29.028	22.9	2775	121.4	2354	103.0	2789	122.0	2366	103.5	2860	125.1	2451	107.2	2918	127.7	2501	109.4
750	28.905	21.7	2662	122.8	2257	104.1	2676	123.4	2268	104.6	2744	126.6	2350	108.4	2800	129.2	2398	110.6
712.5	28.785	20.5	2546	124.1	2160	105.3	2558	124.7	2171	105.9	2624	127.9	2249	109.7	2677	130.5	2295	111.9
675	28.659	19.3	2428	125.5	2063	106.7	2440	126.1	2074	107.2	2502	129.3	2148	111.0	2553	132.0	2192	113.3
637.5	28.540	18.2	2308	126.9	1959	107.7	2320	127.5	1969	108.2	2379	130.7	2040	112.1	2427	133.4	2082	114.4
600	28.411	17.0	2189	128.4	1856	108.9	2200	129.0	1865	109.4	2256	132.3	1932	113.3	2302	135.0	1971	115.6
562.5	28.281	15.9	2065	129.8	1754	110.2	2075	130.4	1762	110.8	2128	133.8	1826	114.8	2171	136.5	1863	117.1
525	28.170	14.8	1954	132.1	1658	112.1	1964	132.8	1666	112.7	2014	136.2	1726	116.7	2055	138.9	1762	119.1
487.5	28.045	13.7	1826	133.6	1550	113.4	1836	134.3	1558	114.0	1882	137.7	1614	118.1	1921	140.5	1647	120.5
450	27.905	12.6	1697	135.1	1441	114.8	1705	135.8	1448	115.3	1749	139.3	1500	119.5	1785	142.1	1531	121.9
412.5	27.764	11.5	1565	136.7	1329	116.1	1573	137.4	1336	116.7	1613	140.9	1384	120.9	1646	143.7	1412	123.3
375	27.624	10.4	1432	138.2	1216	117.4	1439	138.9	1222	118.0	1476	142.5	1266	122.3	1506	145.4	1292	124.7

Circuit Layout

No. of LED's in Series	No. of LED's in Parallel
10	12

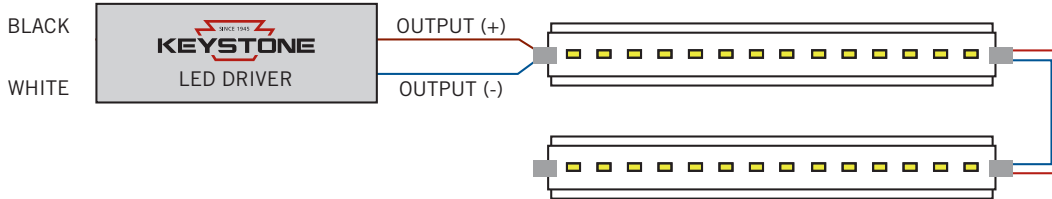
ACCESSORIES

Lens	KTAG-33L-LENS*
------	----------------

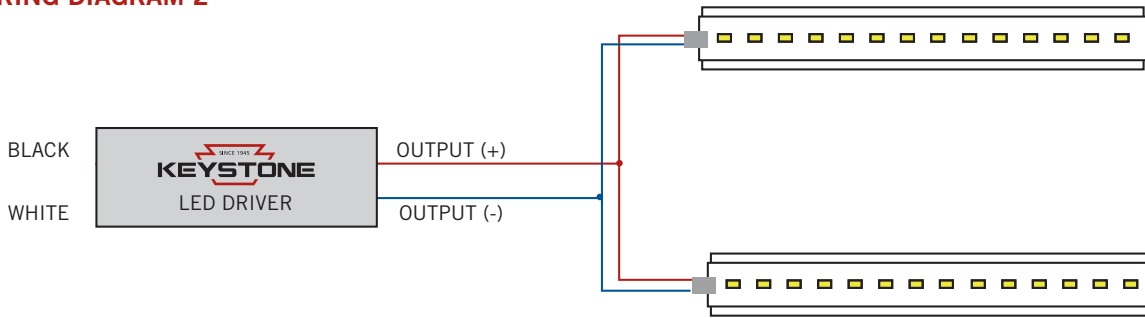
*Polycarbonate, Flammability Rating V-2

KTAG-33L-1050-30-9XX-RJ
HIGH EFFICACY LINEAR LED MODULE

WIRING DIAGRAM 1



WIRING DIAGRAM 2



CATALOG NUMBER BREAKDOWN

KTAG-33L-1050-30-9XX-RJ

1
2
3
4
5
6
7

- 1 Keystone Technologies AlumaGroove
- 2 Nominal Length
- 3 Max. Drive Current
- 4 Nominal Forward Voltage
- 5 900 Series
- 6 Color Temperature
- 7 Rear-Junction Connection