



KTEB-228HE-UV-PS-SL

T5 ELECTRONIC BALLAST

Version A4



DESCRIPTION

2 x F28T5 | 120-277 Multi-Voltage | High Power Factor | Program Start | 90°C Rated

STARTING METHOD: Program Start

LAMP CONNECTION: Series

INPUT VOLTAGE: 120-277Vac \pm 10%

INPUT FREQUENCY: 50/60 Hz

POWER FACTOR: High

WARRANTY: 5 Years



PRODUCT FEATURES

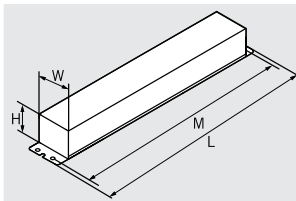
- DOE 2014 Compliant
- Sound Rated: A
- Minimum Starting Temperature: 0°F, -18°C
- Maximum Case Temperature: 158°F, 70°C
- Meets FCC Part 18 (Class A) Non Consumer Limits
- UL, cUL 935 Listed
- Transient Protection Meets ANSI/IEEE C62.41 Cat. A
- Lamp End-of-Life Protected
- Class P, Type 1 Outdoor
- Type HL, Type CC

ELECTRICAL SPECIFICATIONS

Lamp Type	No. of Lamps	Input Volts	Input Watts	Input Current	Power Factor	Crest Factor	Ballast Factor	Ballast Efficacy Factor	Max. THD	Wiring Diagram
F28T5/HE	2	120V	64W	0.53A	\geq 0.98	\leq 1.70	1.00	1.59	10%	F2-12
		277V	63W	0.23A	\geq 0.98	\leq 1.70	1.00	1.62	10%	F2-12
	1	120V	33W	0.29A	\geq 0.98	\leq 1.70	1.12	3.34	10%	F1-11
		277V	34W	0.12A	\geq 0.95	\leq 1.70	1.12	3.31	10%	F1-11
F21T5/HE	2	120V	49W	0.39A	\geq 0.98	\leq 1.70	1.10	2.25	10%	F2-12
		277V	48W	0.17A	\geq 0.95	\leq 1.70	1.10	2.26	10%	F2-12
	1	120V	25W	0.22A	\geq 0.98	\leq 1.70	1.08	4.41	10%	F1-11
		277V	25W	0.10A	\geq 0.90	\leq 1.70	1.08	4.29	10%	F1-11
F14T5/HE	2	120V	34W	0.28A	\geq 0.98	\leq 1.70	1.11	3.37	10%	F2-12
		277V	34W	0.13A	\geq 0.95	\leq 1.70	1.12	3.35	10%	F2-12
	1	120V	18W	0.14A	\geq 0.98	\leq 1.70	1.16	6.65	10%	F1-11
		277V	18W	0.07A	\geq 0.85	\leq 1.70	1.16	6.36	10%	F1-11
F35T5/HE	1	120V	41W	0.34A	\geq 0.98	\leq 1.70	1.10	2.68	10%	F1-11
		277V	41W	0.15A	\geq 0.95	\leq 1.70	1.10	2.67	10%	F1-11

PHYSICAL SPECIFICATIONS

CASE DIMENSIONS



LENGTH	9.50"
WIDTH	1.30"
HEIGHT	1.00"
MOUNTING	8.96"
CASE STYLE	L30

STANDARD LEAD LENGTHS*

WHITE	25"
BLACK	25"
BLUE	31"
RED	31"
YELLOW	46"

Lead wires are 18 AWG 105 C/600V, solid copper.

CASE MATERIAL: Steel

*Consult Keystone for special lead length requirements.

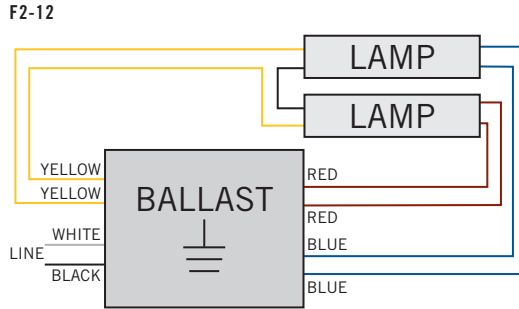
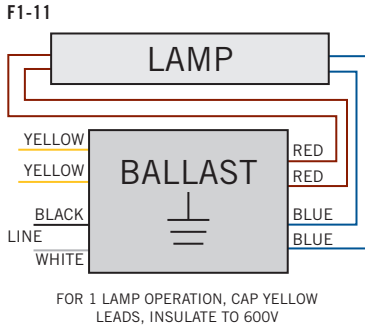


KTEB-228HE-UV-PS-SL

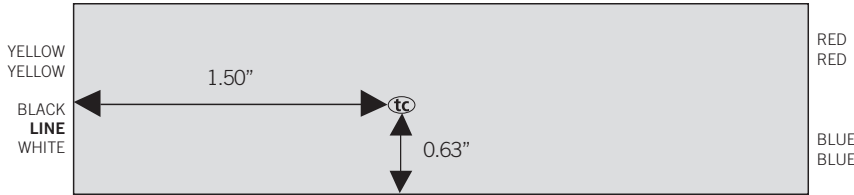
T5 ELECTRONIC BALLAST

Version A4

WIRING DIAGRAMS



HOT SPOT LOCATION



ORDERING INFORMATION

ORDER CODE	PACKAGING STYLE	PACK QTY.	ITEM STATUS
KTEB-KTEB-228HE-UV-PS-SL-CP	Carton Pack	40	Quick Ship

NOTE: Version A4 (Manufacturing Revision). Prior versions of this ballast exist. Spec sheets for prior versions available upon request. Contact Keystone for details.

CATALOG NUMBER BREAKDOWN

