



# KTLD-100-UV-XXX-VDIM-W3

## CONSTANT CURRENT LED DRIVER

### DESCRIPTION

LED Driver | 100W | 120-277V Input | 1580-2240mA Output



<b>TOTAL POWER:</b> 100W	<b>OUTPUT CURRENT:</b> 1580-2240mA
<b>INPUT VOLTAGE:</b> 120-277Vac ±10%	<b>DIMMING:</b> 0-10V
<b>INPUT FREQUENCY:</b> 50/60 Hz	<b>WARRANTY:</b> 5 Years

### ELECTRICAL SPECIFICATIONS

<b>Input Voltage Range</b>	120~277Vac ± 10%
<b>Frequency</b>	50/60Hz
<b>Power Factor</b>	> 0.9 under 120~277Vac input with 80~100% load condition (For All Output Currents)
<b>Inrush Current</b>	20A @230V
<b>Max. Input Current</b>	0.95A @120V, 0.48A @240V and 0.42A @277V
<b>THD</b>	< 20% under 120~277Vac input with 80~100% load condition (For All Output Currents)
<b>Load Regulation</b>	± 2%
<b>Line Regulation</b>	± 1%
<b>Voltage Tolerance</b>	± 5% at Full Load Condition
<b>Turn-On Delay Time</b>	< 2s at Full Load Condition
<b>Overshoot</b>	< 10% at Full Load Condition
<b>No Load Power Consumption</b>	< 3W
<b>Ripple and Noise (pk-pk)</b>	< 3%
<b>Withstand Voltage</b>	Input to output, 2,800Vdc, 2mA
<b>Leakage Current</b>	Maximum 0.5mA at 277Vac, 60Hz input
<b>Protection</b>	<ul style="list-style-type: none"> <li>• <b>Over Voltage Protection:</b> Hiccup mode. Protection will trigger when load voltage exceeds specified output voltage and will auto recover after the fault mode is removed.</li> <li>• <b>Over Current Protection:</b> Hiccup mode. Protection will trigger when load current exceeds specified output current and will auto recover after the fault mode is removed.</li> <li>• <b>Short Circuit Protection:</b> Hiccup mode. Protection will trigger when short circuited and will auto recover after the fault mode is removed.</li> <li>• <b>Over Temperature Protection:</b> Protection will trigger when driver overheats and auto-recovery when cooled down.</li> </ul>

### PRODUCT SPECIFICATIONS

Catalog Number	Max. Output Power	Output Current	Output Voltage	OCV	Typical Efficiency at 120V	Typical Efficiency at 240V	Typical Efficiency at 277V	Remote Mounting Distance (#18 AWG)	Class 2	
									US	Canada
KTLD-100-UV-1580-VDIM-W3	100W	1580mA	29-58V	59V	88%	88%	89%	24 ft	✓	
KTLD-100-UV-1600-VDIM-W3	100W	1600mA	29-58V	59V	88%	88%	89%	24 ft	✓	
KTLD-100-UV-1700-VDIM-W3	100W	1700mA	28-55V	56V	88%	88%	89%	22 ft	✓	
KTLD-100-UV-1800-VDIM-W3	100W	1800mA	26-52V	53V	88%	88%	89%	21 ft	✓	
KTLD-100-UV-1900-VDIM-W3	100W	1900mA	25-49V	50V	88%	88%	89%	20 ft	✓	
KTLD-100-UV-2000-VDIM-W3	100W	2000mA	24-47V	48V	88%	89%	90%	19 ft	✓	
KTLD-100-UV-2100-VDIM-W3	100W	2100mA	22-45V	26V	88%	89%	90%	18 ft	✓	
KTLD-100-UV-2200-VDIM-W3	100W	2200mA	21-43V	44V	88%	89%	90%	17 ft	✓	
KTLD-100-UV-2240-VDIM-W3	100W	2240mA	21-41V	42V	88%	89%	90%	17 ft	✓	✓

### ENVIRONMENTAL SPECIFICATIONS

<b>Operating Temperature</b>	-40 to 60°C
<b>Storage Temperature</b>	-40 to 85°C
<b>Humidity</b>	5% to 95%
<b>MTBF</b>	117,000 hours at 40°C ambient (~70°C Case temp)
<b>Life Rating</b>	85,000 hours at 120Vac input, 100% load and 60°C case temperature
<b>Maximum Case Temperature</b>	90°C

### SAFETY AND EMC COMPLIANCE

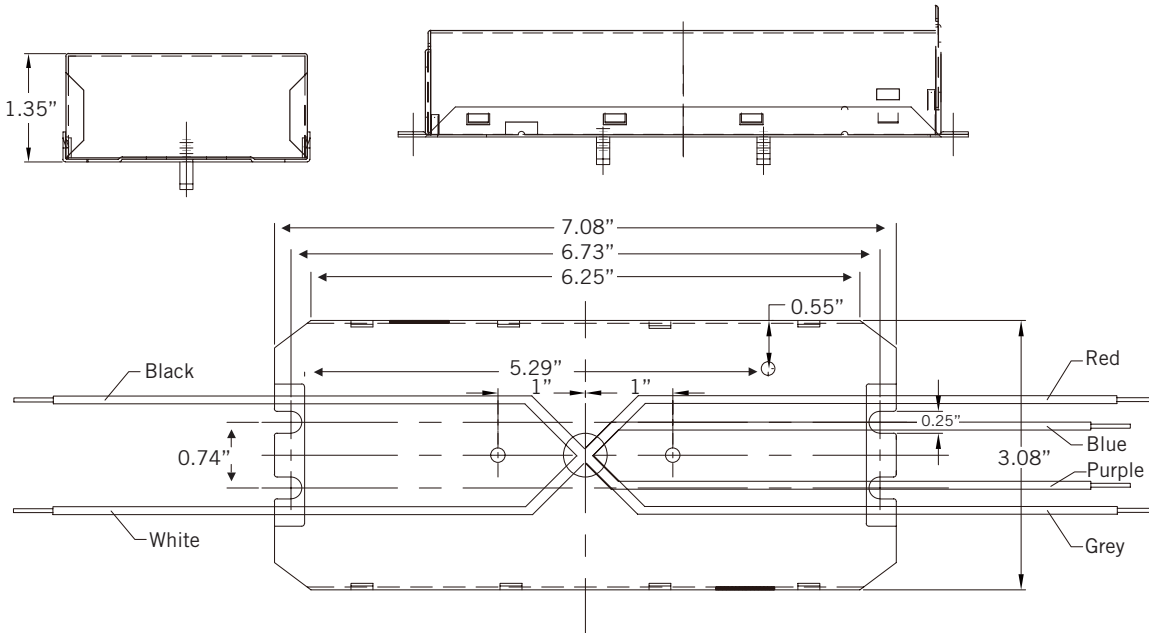
<b>UL/cUL</b>	UL 8750; Type TL
<b>CE</b>	EN61347-1, EN61347-2-13
<b>FCC, 47CFR Part 15</b>	ANSI C63.4:2009 Class B (Consumer Limit)
<b>EN61000-3-2</b>	Harmonic Current Emissions Class C



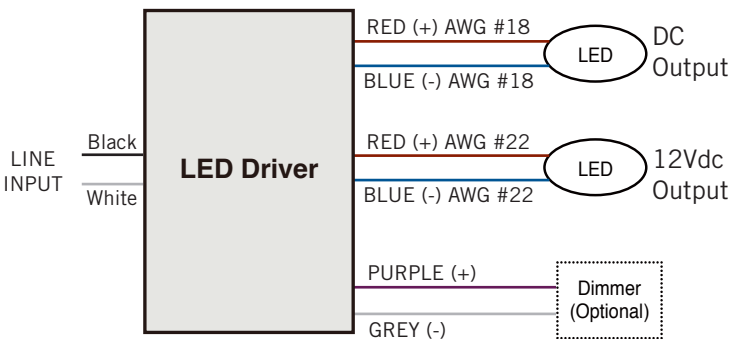
# KTLD-100-UV-XXX-VDIM-W3

## CONSTANT CURRENT LED DRIVER

### PHYSICAL SPECIFICATIONS



### WIRING DIAGRAM



### WIRING SPECIFICATIONS

<b>INPUT</b>	12", UL 1316 #18AWG (Black and White)
<b>OUTPUT</b>	Main: 12", UL 1316 #18AWG (Red and Blue) Aux: 12", UL 1430 #22AWG (Red and Blue)

### ORDERING INFORMATION

ORDER CODE	PACKAGING STYLE	PACK QTY.	ITEM STATUS
KTLD-100-UV-XXX-VDIM-W3-CP	Carton Pack	TBD	Quick Ship

### CATALOG NUMBER BREAKDOWN

