



KTLD-150-UV-xxx-VDIM-67-AP3
Constant current LED driver
Total power: 150W
Input voltage: 120~277Vac ± 10%
Number of outputs: One
UL 8750
IP66 design
Dimmable with 0-10V dimmer
5 year warranty

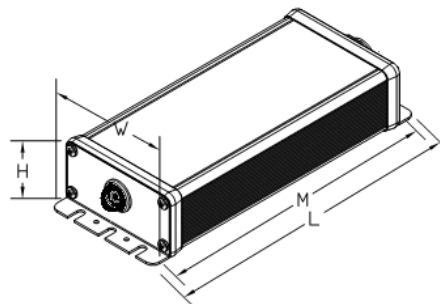
ELECTRICAL SPECIFICATIONS:		ENVIRONMENTAL SPECIFICATIONS:	
Input voltage range:	120~277Vac ± 10%	Operating temperature:	-30 to 60°C
Frequency:	50/60Hz	Storage temperature:	-40 to 85°C
Power factor:	>0.9 @full load, 120V through 277V	Humidity:	5% to 95%
Inrush current:	20A @230V	MTBF:	() hours at 40°C ambient (~70°C Case temp)
Max input current:	1.60A @120V and 0.75A @ 277V	Maximum case Temperature	90°C
THD:	<20%		
Protection:	Over voltage, Over current and Short circuit		
Withstand voltage	I/P – O/P 2k Vac		

PRODUCT SPECIFICATIONS:							
Model Number	Max output power	Output Current	Output Voltage	Efficiency	Remote mounting distance (#18 AWG)	Class 2	
						US	Canada
KTLD-150-UV-530-VDIM-67-AP3	150W	530mA	141 - 283V	87%	72 ft		

SAFETY AND EMC COMPLIANCE:	
UL/cUL	UL 8750
FCC, 47CFR Part 15	Class A non-consumer Limit
EN61000-3-2	

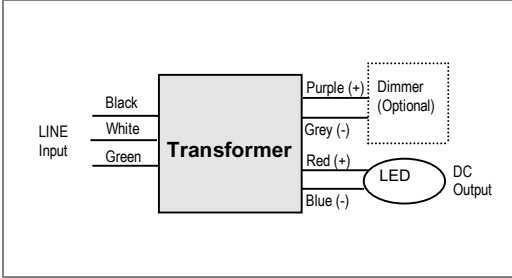
PHYSICAL DIMENSIONS:	
Length (L):	8.98"
Width (W):	2.68"
Height (H):	1.52"
Mounting (M):	8.33"
Weight:	1.00 kg

WIRE SPECIFICATIONS:	
Input:	12", UL rated SJTW #18 AWG x 3C (White, Black and Green)
Output:	12", UL rated SJTW #18 AWG x 2C (Red and Blue)
Dimming:	12", UL 1316 #22AWG (Purple and Grey)

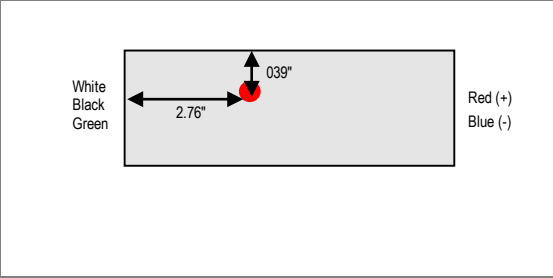


Keystone Technologies • 1390 Welsh Road, North Wales, PA 19454
 Phone (800) 464-2680 • Fax (888) 966-0556 • www.keystoneballast.com

WIRING DIAGRAM:



HOTTEST SPOT LOCATIONS:



LIFETIME / CASE TEMP:

To be provided