



KTLD-16-UV-XXX-AK1
Constant current LED driver
Total power: 16W
Input voltage: 120~277Vac ± 10%
Number of outputs: One
UL 8750
IP20 design for dry and damp location
5 year warranty

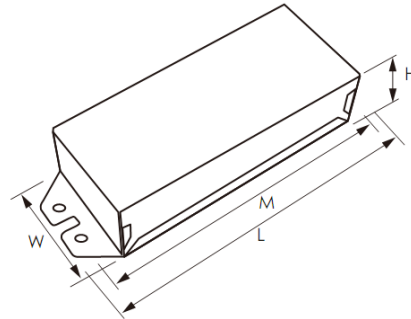
ELECTRICAL SPECIFICATIONS:		ENVIRONMENTAL SPECIFICATIONS:	
Input voltage range:	120~277Vac ± 10%	Operating temperature:	-30 to 60°C
Frequency:	50/60Hz	Storage temperature:	-40 to 85°C
Power factor:	>0.9 @full load, 120V through 277V	Humidity:	5% to 95%
Inrush current:	7A @230V	MTBF:	376,000 hours at 40°C ambient (~70°C Case temp)
Max input current:	0.19A @120V and 0.09A @ 277V	Maximum case Temperature	90°C
THD:	<20%		
Protection:	Over voltage, Over current and Short circuit		
Withstand voltage	I/P – O/P 2k Vac		

PRODUCT SPECIFICATIONS:							
Model Number	Max output power	Output Current	Output Voltage	Efficiency	Remote mounting distance (#18 AWG)	Class 2	
						US	Canada
KTLD-16-UV-290-AK1	16W	290mA	18 - 54V	80%	132 ft	√	
KTLD-16-UV-400-AK1	16W	400mA	13 - 40V	80%	96 ft	√	√
KTLD-16-UV-500-AK1	16W	500mA	10 - 32V	80%	76 ft	√	√
KTLD-16-UV-600-AK1	16W	600mA	10 - 27V	80%	64 ft	√	√
KTLD-16-UV-700-AK1	16W	700mA	9 - 23V	80%	54 ft	√	√
KTLD-16-UV-800-AK1	16W	800mA	7 - 20V	80%	48 ft	√	√
KTLD-16-UV-900-AK1	16W	900mA	6 - 18V	80%	42 ft	√	√
KTLD-16-UV-1000-AK1	16W	1000mA	6 - 16V	80%	38 ft	√	√
KTLD-16-UV-1100-AK1	16W	1100mA	6 - 15V	80%	34 ft	√	√
KTLD-16-UV-1200-AK1	16W	1200mA	6 - 13V	80%	32 ft	√	√
KTLD-16-UV-1300-AK1	16W	1300mA	6 - 12V	80%	29 ft	√	√
KTLD-16-UV-1400-AK1	16W	1400mA	6 - 12V	80%	27 ft	√	√

SAFETY AND EMC COMPLIANCE:	
UL/cUL	UL 8750
FCC, 47CFR Part 15	Class B Consumer Limit
EN61000-3-2	

Keystone Technologies • 208 Progress Drive, North Wales, PA 19454
 Phone (800) 464-2680 • Fax (888) 966-0556 • www.keystoneballast.com

PHYSICAL DIMENSIONS:	
Length (L):	4.80"
Width (W):	1.58"
Height (H):	0.96"
Mounting (M):	4.29"
Weight:	0.22 kg
WIRE SPECIFICATIONS:	
Input:	12", UL 1316 #18AWG (Black and White)
Output:	12", UL 1316 #18AWG (Red and Blue)



WIRING DIAGRAM:	HOTTEST SPOT LOCATIONS:

