



KTLD-16-UV-XXX-VDIM-AK1
Constant current LED driver
Total power: 16W
Input voltage: 120~277Vac ± 10%
Number of outputs: One
UL 8750
IP20 design for dry and damp location
Dimmable with 0-10V dimmer
5 year warranty

ELECTRICAL SPECIFICATIONS:		ENVIRONMENTAL SPECIFICATIONS:	
Input voltage range:	120~277Vac ± 10%	Operating temperature:	-30 to 60°C
Frequency:	50/60Hz	Storage temperature:	-40 to 85°C
Power factor:	>0.9 @full load, 120V through 277V	Humidity:	5% to 95%
Inrush current:	30A @277V	MTBF:	376,000 hours at 40°C ambient (~70°C Case temp)
Max input current:	0.17A @120V and 0.08A @ 277V	Maximum case Temperature	90°C
THD:	<15%		
Protection:	Over voltage, Over current and Short circuit		
Withstand voltage	I/P – O/P 2k Vac		

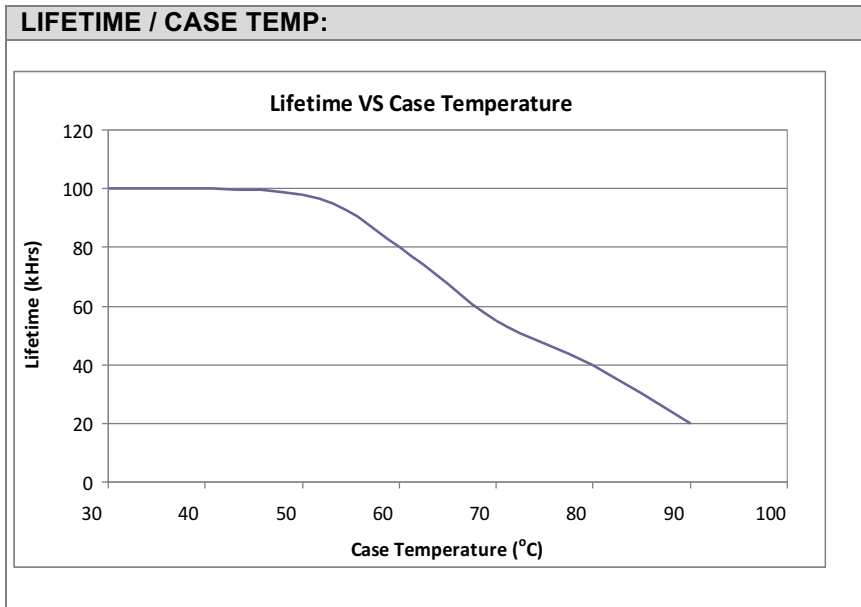
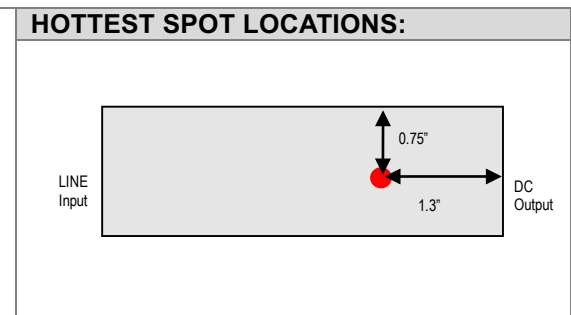
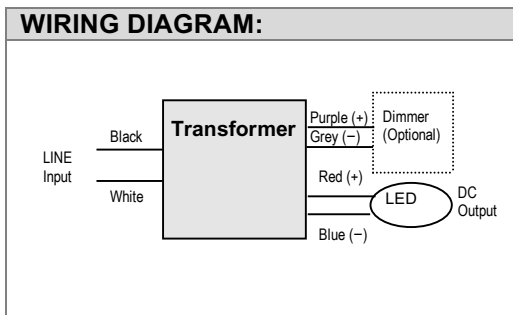
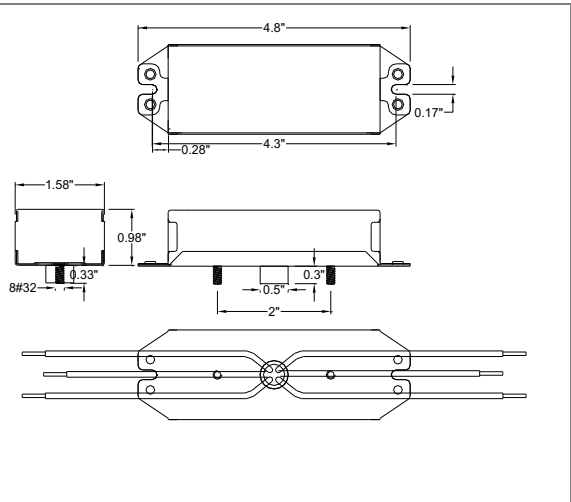
PRODUCT SPECIFICATIONS:							
Model Number	Max output power	Output Current	Output Voltage	Efficiency	Remote mounting distance (#18 AWG)	Class 2	
						US	Canada
KTLD-16-UV-280-VDIM-AK1	16W	280mA	29 – 58V	84%	137 ft	√	
KTLD-16-UV-290-VDIM-AK1	16W	290mA	27 - 54V	84%	132 ft	√	
KTLD-16-UV-350-VDIM-AK1	16W	350mA	23 - 46V	84%	109 ft	√	
KTLD-16-UV-400-VDIM-AK1	16W	400mA	20 - 40V	84%	96 ft	√	√
KTLD-16-UV-500-VDIM-AK1	16W	500mA	16 - 32V	84%	76 ft	√	√
KTLD-16-UV-600-VDIM-AK1	16W	600mA	14 - 27V	84%	64 ft	√	√
KTLD-16-UV-660-VDIM-AK1	16W	660mA	12 –24V	84%	58 ft	√	√
KTLD-16-UV-700-VDIM-AK1	16W	700mA	12 - 23V	84%	54 ft	√	√
KTLD-16-UV-800-VDIM-AK1	16W	800mA	10 - 20V	84%	48 ft	√	√
KTLD-16-UV-900-VDIM-AK1	16W	900mA	10 - 18V	84%	42 ft	√	√
KTLD-16-UV-1000-VDIM-AK1	16W	1000mA	9 - 16V	84%	38 ft	√	√
KTLD-16-UV-1100-VDIM-AK1	16W	1100mA	8 - 15V	84%	34 ft	√	√
KTLD-16-UV-1200-VDIM-AK1	16W	1200mA	7 - 13V	84%	32 ft	√	√
KTLD-16-UV-1300-VDIM-AK1	16W	1300mA	6 - 12V	84%	29 ft	√	√
KTLD-16-UV-1400-VDIM-AK1	16W	1400mA	6 - 12V	84%	27 ft	√	√

UL Pending

Keystone Technologies • 208 Progress Drive, North Wales, PA 19454
 Phone (800) 464-2680 • Fax (888) 966-0556 • www.keystoneballast.com

UL/cUL	UL 8750
FCC, 47CFR Part 15	Class B Consumer Limit
EN61000-3-2	

PHYSICAL DIMENSIONS:	
Length (L):	4.80"
Width (W):	1.58"
Height (H):	0.96"
Mounting (M):	4.30"
Weight:	0.22 kg
WIRE SPECIFICATIONS:	
Input:	12", UL 1316 #18AWG (Black and White)
Output:	12", UL 1316 #18AWG (Red and Blue)
Dimming:	12" UL 1316/1430 #22AWG (Purple and Grey)



Keystone Technologies • 208 Progress Drive, North Wales, PA 19454
 Phone (800) 464-2680 • Fax (888) 966-0556 • www.keystoneballast.com