



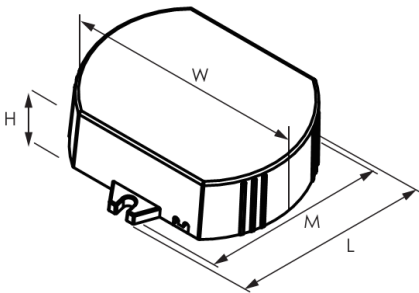
<b>KTLD-20-1N-600-AQ1</b>
Constant current LED driver
Total power: 20W
Input voltage: 120Vac ± 10%
Number of outputs: One
UL 8750
IP20 design for dry and damp location
5 year warranty

ELECTRICAL SPECIFICATIONS:		ENVIRONMENTAL SPECIFICATIONS:	
Input voltage range:	120Vac ± 10%	Operating temperature:	-30 to 60°C
Frequency:	60Hz	Storage temperature:	-40 to 85°C
Power factor:	>0.5 @full load	Humidity:	5% to 95%
Inrush current:	30A @120V	MTBF:	374,000 hours at 40°C ambient (~70°C Case temp)
Max input current:	0.42A @120V	Maximum case Temperature	90°C
THD:	<20%		
Protection:	Over voltage, Over current and Short circuit		
Withstand voltage	I/P – O/P 2k Vac		

PRODUCT SPECIFICATIONS:							
Model Number	Max output power	Output Current	Output Voltage	Efficiency	Remote mounting distance (#18 AWG)	Class 2	
						US	Canada
KTLD-20-1N-600-AQ1	20W	600mA	10 - 34V	81%	64 ft	√	√

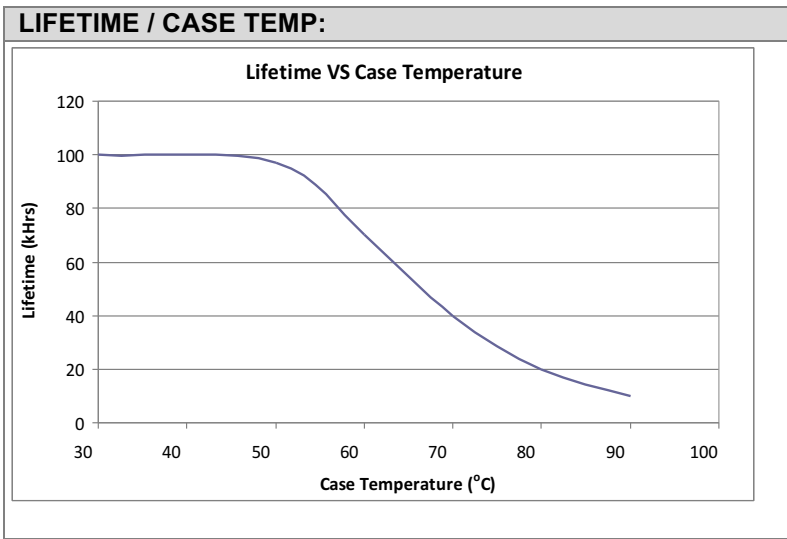
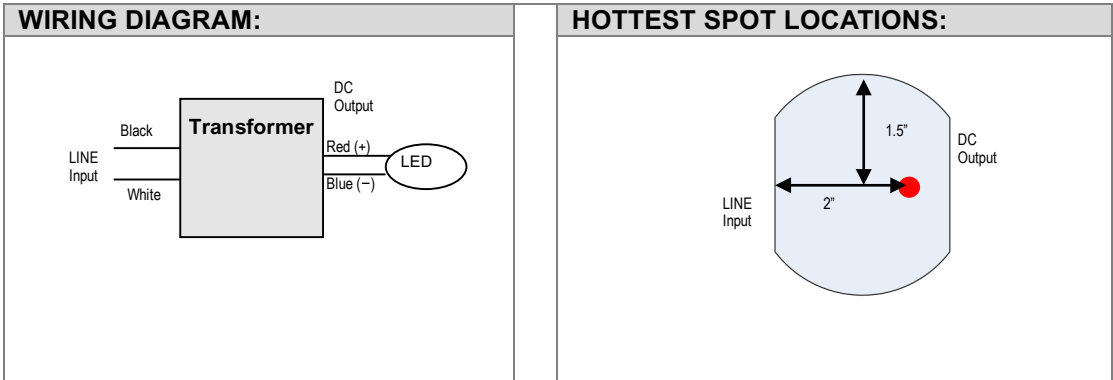
SAFETY AND EMC COMPLIANCE:	
UL/cUL	UL 8750
FCC, 47CFR Part 15	Class B Consumer Limit
EN61000-3-2	

PHYSICAL DIMENSIONS:	
Length (L):	3.07"
Width (W):	3.15"
Height (H):	1.00"
Mounting (M):	2.76"
Weight:	0.19 kg



WIRE SPECIFICATIONS:	
Input:	12", UL 1316 #18AWG (Black and White)
Output:	12", UL 1316/1430 #22AWG (Red and Blue)

**Keystone Technologies** • 208 Progress Drive, North Wales, PA 19454  
 Phone (800) 464-2680 • Fax (888) 966-0556 • [www.keystoneballast.com](http://www.keystoneballast.com)



**Keystone Technologies** • 208 Progress Drive, North Wales, PA 19454  
 Phone (800) 464-2680 • Fax (888) 966-0556 • [www.keystoneballast.com](http://www.keystoneballast.com)