



KTLD-200-UV-3200-AP5

LED DRIVER



Constant current LED driver
Total power: 200W
Input voltage: 120~277Vac \pm 10%
Number of outputs: One main + One 12Vdc Aux
UL Listed, Class P
IP67 design for wet location
5 year warranty

ELECTRICAL SPECIFICATIONS

Input voltage range:	120~277Vac \pm 10%
Frequency:	50/60Hz
Power factor:	> 0.9 under 120~277Vac input with 80~100% load condition (for all output voltage)
Inrush current:	30A @120V
Max input current:	2.20A @120V, 1.09A @240V and 0.94A @277V
THD:	< 20% under 120~277Vac input with 80~100% load condition (for all output voltage)
Load Regulation:	\pm 1%
Line Regulation:	\pm 1%
Output Tolerance:	\pm 5% at full load condition
Turn-on Delay Time:	< 1s at full load condition
Overshoot:	< 10% at full load condition
No Load Power Consumption:	< 2W
Ripple & Noise (pk-pk):	< 3%
Withstand voltage:	Input to output, 2,800Vdc, 2mA
Leakage current:	Maximum 0.5mA at 277Vac, 60Hz input
Protection:	Over voltage protection: Hiccup mode. Protection will trigger when load voltage exceed specified output voltage and will auto recover after the fault mode is removed. Over current protection: Hiccup mode. Protection will trigger when load current exceed specified output current and will auto recover after the fault mode is removed. Short circuit protection: Hiccup mode. Protection will trigger when short circuit and will auto recover after the fault mode is removed. Over temperature protection: Protection will trigger when driver overheat and auto-recovery when cooled down.

ENVIRONMENTAL SPECIFICATIONS

Operating temperature:	-40 to 60°C
Storage temperature:	-40 to 85°C
Humidity:	5% to 95%
MTBF:	126,000 hours at 40°C ambient (~70°C Case temp)
Life rating:	80,000 hours at 120Vac input, 100% load and 60°C case temperature
Maximum case Temperature :	90°C

SAFETY AND EMC COMPLIANCE

UL/cUL	UL Listed, Class P, Type HL
CE	EN61347-1, EN61347-2-13
FCC, 47CFR Part 15	ANSI C63.4:2009 Class B (Consumer Limit)
EN61000-3-2	Harmonic Current Emissions Class C

PRODUCT SPECIFICATIONS

Model Number	Max output power	Output Current	Output Voltage	OCV	Efficiency at 120V (Typ.)	Efficiency at 240V (Typ.)	Efficiency at 277V (Typ.)	Remote mounting distance (#18 AWG)	Class 2	
									US	Canada
KTLD-200-UV-3200-AP5	200W	3200mA	31-63V	65V	89%	90%	91%	11 ft		

PHYSICAL DIMENSIONS

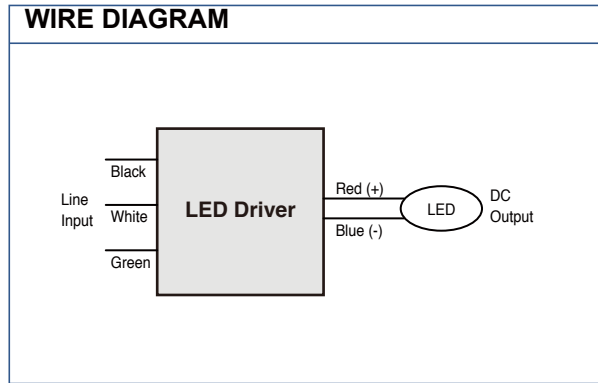
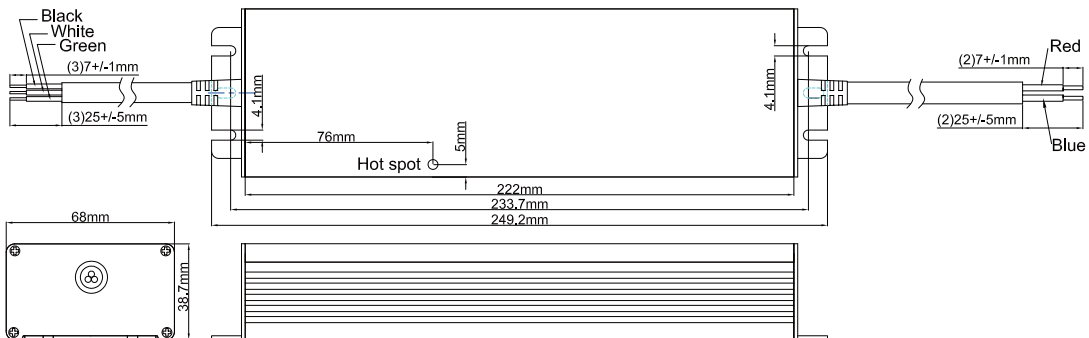
Length (L):	9.81" (249mm)
Width (W):	2.68" (68mm)
Height (H):	1.52" (39mm)
Mounting (M):	9.20" (234mm)

PACKAGING

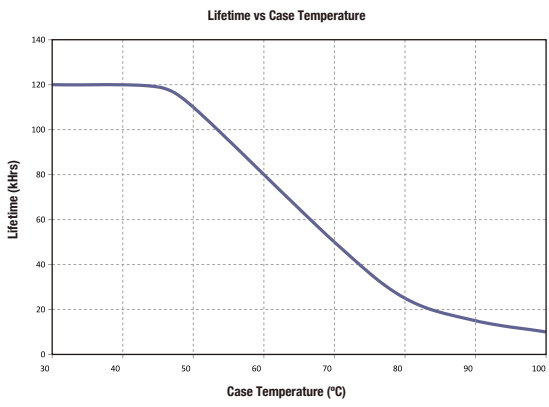
1.2kg / unit ; 15pcs / carton ; 540pcs / pallet	
Carton size:	445 x 310 x 142 mm
Carton weight:	19 kg
Case Material:	Aluminium

WIRE SPECIFICATIONS

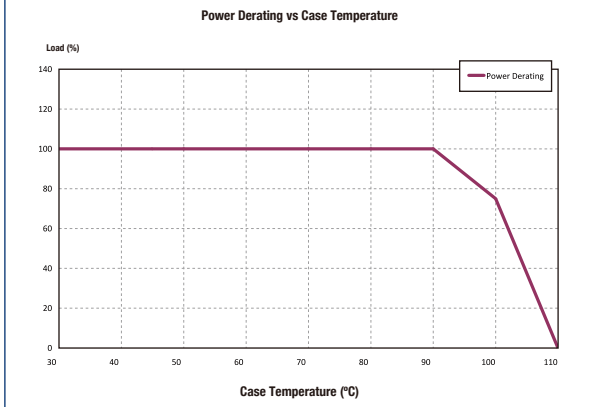
Input:	12", UL rated SJTW #18AWG x 3C
Output:	12", UL rated SJTW #18AWG x 2C



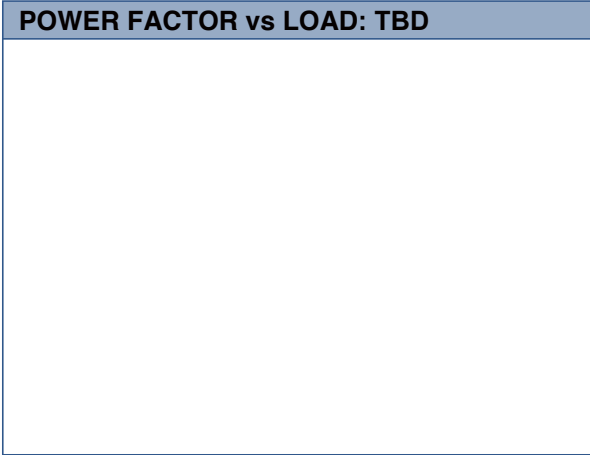
LIFETIME vs CASE TEMPERATURE



POWER DERATING vs CASE TEMPERATURE



POWER FACTOR vs LOAD: TBD



EFFICIENCY vs LOAD: TBD

