



<b>KTLD-22-UV-XXX-AK1</b>
Constant current LED driver
Total power: 22W
Input voltage: 120~277Vac ± 10%
Number of outputs: One
UL 8750
IP20 design for dry and damp location
5 year warranty

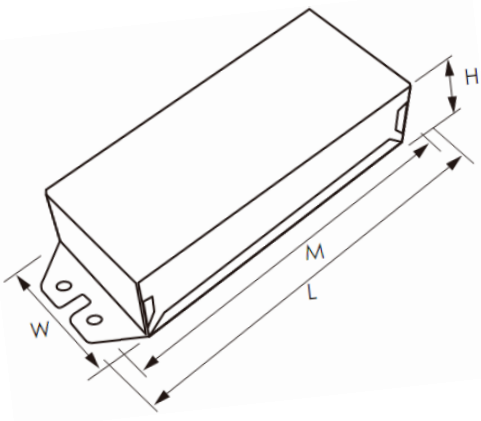
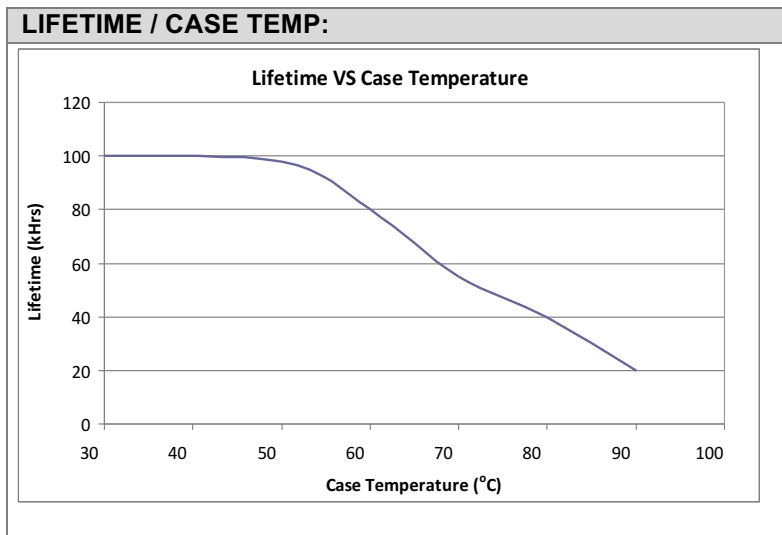
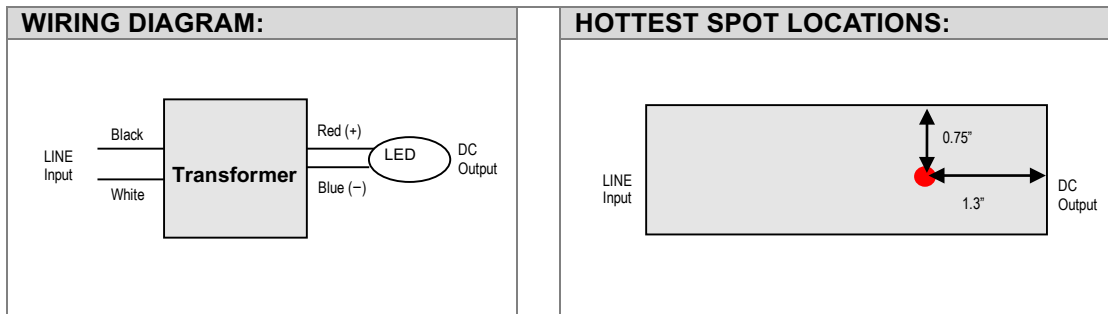
ELECTRICAL SPECIFICATIONS:		ENVIRONMENTAL SPECIFICATIONS:	
Input voltage range:	120~277Vac ± 10%	Operating temperature:	-30 to 60°C
Frequency:	50/60Hz	Storage temperature:	-40 to 85°C
Power factor:	>0.9 @full load, 120V through 277V	Humidity:	5% to 95%
Inrush current:	7A @230V	MTBF:	376,000 hours at 40°C ambient (~70°C Case temp)
Max input current:	0.26A @120V and 0.12A @ 277V	Maximum case Temperature	90°C
THD:	<20%		
Protection:	Over voltage, Over current and Short circuit		
Withstand voltage	I/P – O/P 2k Vac		

PRODUCT SPECIFICATIONS:							
Model Number	Max output power	Output Current	Output Voltage	Efficiency	Remote mounting distance (#18 AWG)	Class 2	
						US	Canada
KTLD-22-UV-350-AK1	22W	350mA	21 - 63V	80%	96ft		
KTLD-22-UV-400-AK1	22W	400mA	18 – 55V	81%	96 ft	√	
KTLD-22-UV-410-AK1	22W	410mA	18 - 55V	81%	93 ft	√	
KTLD-22-UV-500-AK1	22W	500mA	14 - 44V	81%	76 ft	√	
KTLD-22-UV-600-AK1	22W	600mA	12 - 36V	81%	64 ft	√	√
KTLD-22-UV-700-AK1	22W	700mA	10 - 32V	81%	54 ft	√	√
KTLD-22-UV-800-AK1	22W	800mA	9 – 28V	81%	48 ft	√	√
KTLD-22-UV-900-AK1	22W	900mA	8 – 24V	81%	42 ft	√	√
KTLD-22-UV-1000-AK1	22W	1000mA	7 – 20V	81%	38 ft	√	√
KTLD-22-UV-1100-AK1	22W	1100mA	7 – 18V	81%	34 ft	√	√
KTLD-22-UV-1200-AK1	22W	1200mA	7 – 17V	81%	32 ft	√	√
KTLD-22-UV-1300-AK1	22W	1300mA	7 – 16V	81%	29 ft	√	√
KTLD-22-UV-1400-AK1	22W	1400mA	7 – 15V	81%	27 ft	√	√
KTLD-22-UV-1500-AK1	22W	1500mA	7 – 14V	81%	25 ft	√	√
KTLD-22-UV-1540-AK1	22W	1540mA	7 - 14V	81%	24 ft	√	√
KTLD-22-UV-1600-AK1	22W	1600mA	7 - 14	81%	24 ft	√	√

SAFETY AND EMC COMPLIANCE:	
UL/cUL	UL 8750
FCC, 47CFR Part 15	Class B Consumer Limit
EN61000-3-2	

Keystone Technologies • 208 Progress Drive, North Wales, PA 19454  
 Phone (800) 464-2680 • Fax (888) 966-0556 • [www.keystoneballast.com](http://www.keystoneballast.com)

PHYSICAL DIMENSIONS:	
Length (L):	4.80"
Width (W):	1.58"
Height (H):	0.96"
Mounting (M):	4.29"
Weight:	0.22 kg
WIRE SPECIFICATIONS:	
Input:	12", UL 1316 #18AWG (Black and White)
Output:	12", UL 1569 #18AWG (with Non-Class 2 output) 12", UL 1316/1430 #22AWG (with Class 2 output) (Red and Blue)

**Keystone Technologies** • 208 Progress Drive, North Wales, PA 19454  
 Phone (800) 464-2680 • Fax (888) 966-0556 • [www.keystoneballast.com](http://www.keystoneballast.com)