



KTLD-25-UV-XXX-VDIM-AQ1

CONSTANT CURRENT LED DRIVER



DESCRIPTION

LED Driver | 25W | 120-277V Input | 300-1400mA Output

TOTAL POWER: 25W	OUTPUT CURRENT: 300-1400mA
INPUT VOLTAGE: 120~277Vac ± 10%	DIMMING: 0-10V
INPUT FREQUENCY: 50/60 Hz	WARRANTY: 5 Years

ELECTRICAL SPECIFICATIONS

Input Voltage Range	120~277Vac ± 10%
Frequency	50/60 Hz
Power Factor	> 0.9 under 120~277Vac input with 80~100% load condition (For All Output Currents)
Inrush Current	10A @120V
Max. Input Current	0.28A @120V, 0.16A @240V and 0.13A @277V
THD	< 20% under 120~277Vac input with 80~100% load condition (For All Output Currents)
Load Regulation	± 2%
Line Regulation	± 2%
Output Tolerance	± 5% at Full Load Condition
Turn-On Delay Time	< 0.5s at Full Load Condition
Overshoot	< 10% at Full Load Condition
No Load Power Consumption	< 1W
Ripple & Noise (pk-pk)	< 10%
Withstand Voltage	Input to output, 4,000Vdc, 2mA
Leakage Current	Maximum 0.5mA at 277Vac, 60Hz input
Protection	<ul style="list-style-type: none"> • Over Voltage Protection: Hiccup mode. Protection will trigger when load voltage exceeds specified output voltage and will auto recover after the fault mode is removed. • Over Current Protection: Hiccup mode. Protection will trigger when load current exceeds specified output current and will auto recover after the fault mode is removed. • Short Circuit Protection: Hiccup mode. Protection will trigger when short circuited and will auto recover after the fault mode is removed.

PRODUCT SPECIFICATIONS

Catalog Number	Max. Output Power	Output Current	Output Voltage	OCV	Typical Efficiency at 120V	Typical Efficiency at 240V	Typical Efficiency at 277V	Remote Mounting Distance (#18 AWG)	Class 2	
									US	Canada
KTLD-25-UV-300-VDIM-AQ1	25W	300mA	28-83V	99V	83%	81%	80%	124 ft		
KTLD-25-UV-350-VDIM-AQ1	25W	350mA	24-72V	80V	83%	81%	80%	109 ft		
KTLD-25-UV-400-VDIM-AQ1	25W	400mA	21-63V	70V	83%	81%	80%	96 ft		
KTLD-25-UV-450-VDIM-AQ1	25W	450mA	21-56V	60V	84%	82%	81%	85 ft	✓	
KTLD-25-UV-500-VDIM-AQ1	25W	500mA	17-50V	54V	84%	82%	81%	76 ft	✓	
KTLD-25-UV-580-VDIM-AQ1	25W	580mA	14-43V	47V	84%	82%	81%	66 ft	✓	
KTLD-25-UV-600-VDIM-AQ1	25W	600mA	14-42V	46V	84%	82%	81%	64 ft	✓	✓
KTLD-25-UV-700-VDIM-AQ1	25W	700mA	12-36V	40V	84%	82%	81%	54 ft	✓	✓
KTLD-25-UV-800-VDIM-AQ1	25W	800mA	10-32V	36V	84%	82%	81%	48 ft	✓	✓
KTLD-25-UV-900-VDIM-AQ1	25W	900mA	9-28V	32V	84%	82%	81%	42 ft	✓	✓
KTLD-25-UV-1000-VDIM-AQ1	25W	1000mA	8-25V	29V	84%	82%	81%	38 ft	✓	✓
KTLD-25-UV-1040-VDIM-AQ1	25W	1040mA	8-24V	28V	84%	82%	81%	36 ft	✓	✓
KTLD-25-UV-1100-VDIM-AQ1	25W	1100mA	8-23V	27V	84%	82%	81%	34 ft	✓	✓
KTLD-25-UV-1200-VDIM-AQ1	25W	1200mA	8-21V	25V	84%	82%	81%	32 ft	✓	✓
KTLD-25-UV-1400-VDIM-AQ1	25W	1400mA	6-18V	22V	84%	82%	81%	27 ft	✓	✓

Also available in Dim to Off



KTLD-25-UV-XXX-VDIM-AQ1

CONSTANT CURRENT LED DRIVER

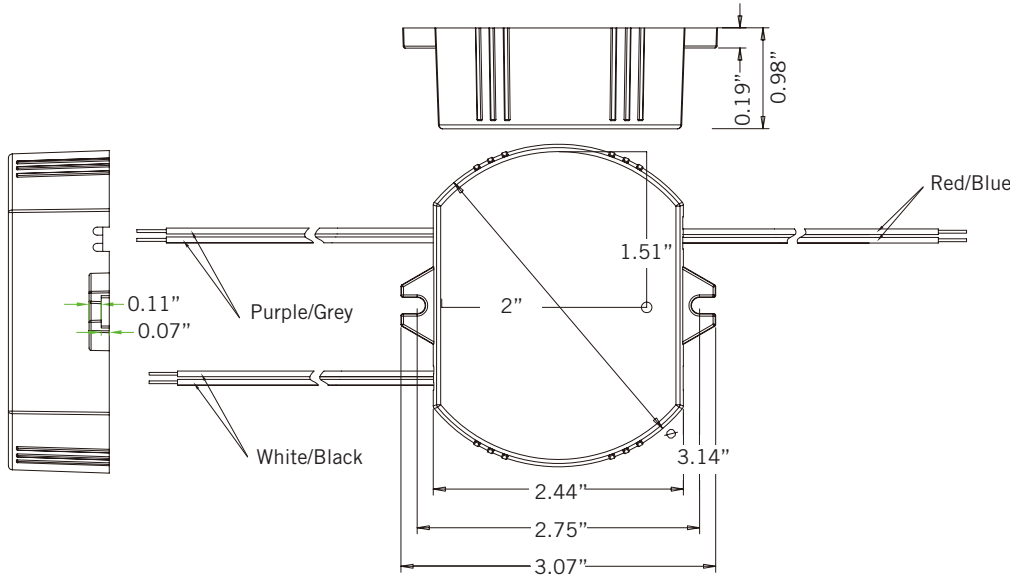
ENVIRONMENTAL SPECIFICATIONS

Operating Temperature	-40 to 60°C
Storage Temperature	-40 to 85°C
Humidity	5% to 95%
MTBF	374,000 hours at 40°C ambient (~70°C Case temp)
Life Rating	75,000 hours at 120Vac input, 100% load and 60°C case temperature
Maximum Case Temperature	90°C

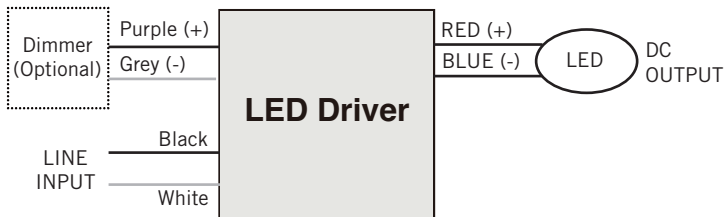
SAFETY AND EMC COMPLIANCE

UL/cUL	UL 8750, Class P, Type HL
CE	EN61347-1, EN61347-2-13
FCC, 47CFR Part 15	ANSI C63.4:2009 Class B (Consumer Limit)
EN61000-3-2	Harmonic Current Emissions Class C

PHYSICAL SPECIFICATIONS



WIRING DIAGRAM



WIRING SPECIFICATIONS

INPUT	12", UL 1316 #18AWG (Black and White)
OUTPUT	12", UL 1316 #18AWG (With Non-Class 2 Output) 12", UL 1316/1430 #22AWG (With Class 2 Output) (Red and Blue)

ORDERING INFORMATION

ORDER CODE	PACKAGING STYLE	PACK QTY.	ITEM STATUS
KTLD-25-UV-XXX-VDIM-AQ1-CP	Carton Pack	TBD	Quick Ship

CATALOG NUMBER BREAKDOWN

KTLD-25-UV-XXX-VDIM-AQ1-CP

