



KTLD-2LT8-UV-12C-VDIM

CONSTANT CURRENT LED DRIVERS FOR TYPE C LED T8 LAMPS

DESCRIPTION



Constant Current Output | 120-277V Input | 0-10V Dimming

DRIVER TYPE: Constant Current
MAX. OUTPUT POWER: 24.3W
INPUT VOLTAGE: 120-277Vac ±10%
OUTPUT VOLTAGE: 36~45 Vdc
OUTPUT CURRENT: 270mA x 2 channels
WARRANTY: 5 Years



PRODUCT FEATURES

- Compatible with Keystone External Drive T8 LED Lamps
- Meets FCC Part 15 (Class B) Consumer Limits
- Short Circuit Overload and Open Load Protection
- Type 1 Outdoor, Suitable for Dry and Damp Locations
- UL8750 Recognized Component
- Dimmable with 0-10V Dimmer
- Operating Temperature: -20°C/-4°F to 45°C/113°F
- 85°C/185°F Maximum Case Temperature
- Input Frequency: 50/60 Hz
- THD: < 20%

SPECIFICATIONS

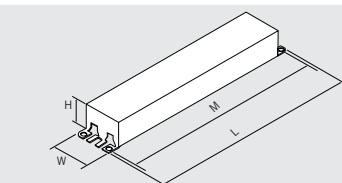
ELECTRICAL SPECIFICATIONS

INPUT CHARACTERISTICS				OUTPUT CHARACTERISTICS			FEATURES
Input Voltage	Input Power	Power Factor	Max. Current	Max. Output Power	Rated Output Current	Output Voltage	Efficiency
120-277Vac	28.8W	>0.9	0.24A @ 120V	24.3W	270mA x 2 Channels	36-45Vdc	88%

MECHANICAL SPECIFICATIONS

CASE DIMENSIONS

KTLD-2LT8-UV-xxC-VDIM	
LENGTH	9.5"
WIDTH	1.3"
HEIGHT	1.1"
MOUNTING	8.9"



*TC Point (85°C) is noted on each driver label



KTLD-2LT8-UV-12C-VDIM

CONSTANT CURRENT LED DRIVERS FOR TYPE C LED T8 LAMPS

MECHANICAL SPECIFICATIONS

STANDARD LEAD LENGTHS*

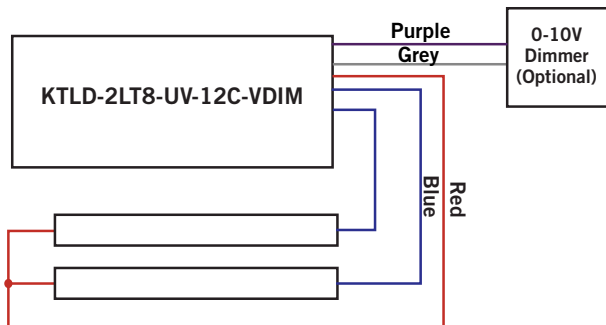
WHITE	30.00"
BLACK	30.00"
RED	30.00"
BLUE	30.00"
PURPLE	30.00"
GRAY	30.00"

CASE MATERIAL: Metal

INPUT WIRES	18 AWG 105°C/600V
OUTPUT WIRES	18 AWG 105°C/600V

*Consult Keystone for special lead length requirements.

WIRING DIAGRAM



*For 1 Lamp application, cap off 1 blue lead

ORDERING INFORMATION

ORDER CODE	PACKAGING STYLE	PACK QTY.	ITEM STATUS
KTLD-2LT8-UV-12C-VDIM-CP	Carton Pack	25	Active

CATALOG NUMBER BREAKDOWN

KTLD-2LT8-UV-12C-VDIM-CP

