



KTLD-36-UV-XXX-L9

Constant current LED driver

Total power: 36W

Input voltage: 120~277Vac ± 10%

Number of outputs: One

UL 8750

IP20 design for dry and damp location

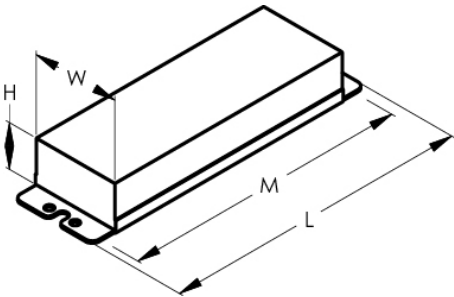
5 year warranty

ELECTRICAL SPECIFICATIONS:		ENVIRONMENTAL SPECIFICATIONS:	
Input voltage range:	120~277Vac ± 10%	Operating temperature:	-30 to 60°C
Frequency:	50/60Hz	Storage temperature:	-40 to 85°C
Power factor:	>0.9 @full load, 120V through 277V	Humidity:	5% to 95%
Inrush current:	20A @230V	MTBF:	440,000 hours at 40°C ambient (~70°C Case temp)
Max input current:	0.41A @120V and 0.19A @ 277V	Maximum case Temperature	90°C
THD:	<20%		
Protection:	Over voltage, Over current and Short circuit		
Withstand voltage	I/P – O/P 2k Vac		

PRODUCT SPECIFICATIONS:							
Model Number	Max output power	Output Current	Output Voltage	Efficiency	Remote mounting distance (#18 AWG)	Class 2	
						US	Canada
KTLD-36-UV-1000-L9	36W	1000mA	18 - 36V	82%	38 ft	√	√
KTLD-36-UV-1250-L9	36W	1250mA	15 - 29V	82%	29 ft	√	√

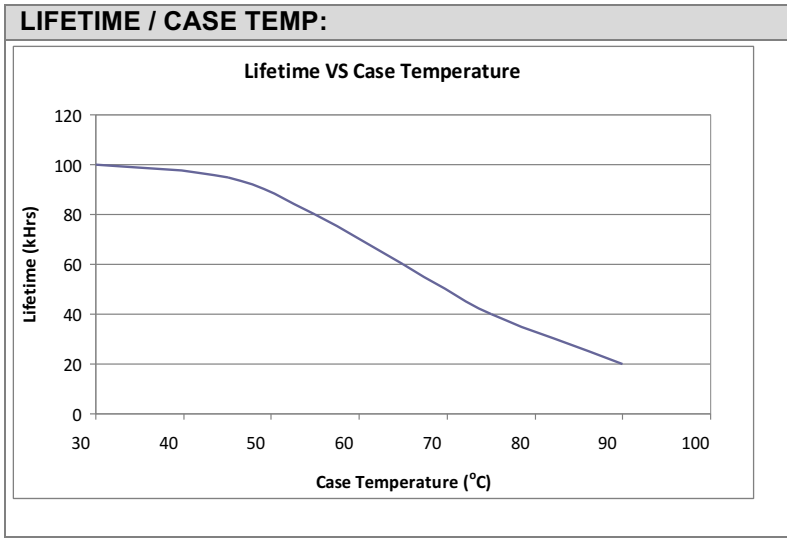
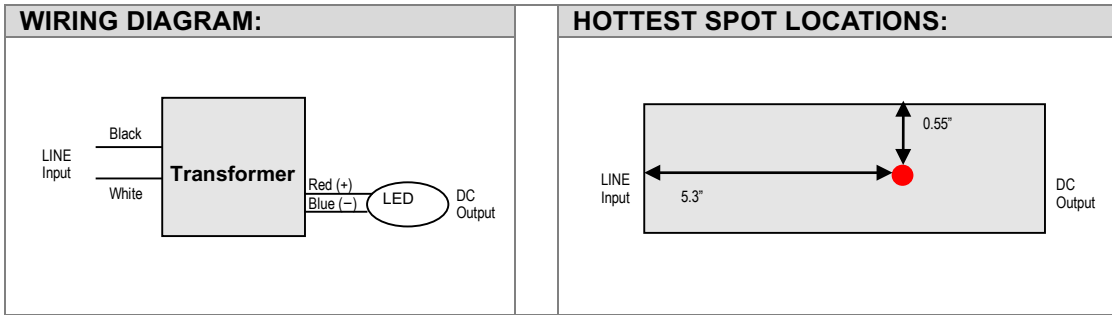
SAFETY AND EMC COMPLIANCE:	
UL/cUL	UL 8750
FCC, 47CFR Part 15	Class B Consumer Limit
EN61000-3-2	

PHYSICAL DIMENSIONS:	
Length (L):	9.57"
Width (W):	1.13"
Height (H):	1.07"
Mounting (M):	8.90"
Weight:	0.40 kg



WIRE SPECIFICATIONS:	
Input:	12", UL 1316 #18AWG (Black and White)
Output:	12", UL 1316 #22AWG (Red and Blue)

Keystone Technologies • 208 Progress Drive, North Wales, PA 19454
 Phone (800) 464-2680 • Fax (888) 966-0556 • www.keystoneballast.com



Keystone Technologies • 208 Progress Drive, North Wales, PA 19454
 Phone (800) 464-2680 • Fax (888) 966-0556 • www.keystoneballast.com