



KTLD-40-UV-XXX-VDIM-L2

CONSTANT CURRENT LED DRIVER



DESCRIPTION

LED Driver | 40W | 120-277V Input | 690-1670mA Output

TOTAL POWER: 40W	OUTPUT CURRENT: 690-1670mA
INPUT VOLTAGE: 120~277Vac ± 10%	DIMMING: 0-10V
INPUT FREQUENCY: 50/60 Hz	WARRANTY: 5 Years

ELECTRICAL SPECIFICATIONS

Input Voltage Range	120~277Vac ± 10%
Frequency	50/60 Hz
Power Factor	> 0.9 under 120~277Vac input with 80~100% load condition (For All Output Currents)
Inrush Current	10A @120V
Max. Input Current	0.47A @120V, 0.25A @240V and 0.21A @277V
THD	< 20% under 120~277Vac input with 80~100% load condition (For All Output Currents)
Load Regulation	± 2%
Line Regulation	± 1%
Output Tolerance	± 5% at Full Load Condition
Turn-On Delay Time	< 0.75s at Full Load condition
Overshoot	< 10% at Full Load Condition
No Load Power Consumption	< 2W
Ripple & Noise (pk-pk)	< 10%
Withstand Voltage	Input to output, 2,800Vdc, 2mA
Leakage Current	Maximum 0.5mA at 277Vac, 60Hz input
Protection	<ul style="list-style-type: none"> • Over Voltage Protection: Hiccup mode. Protection will trigger when load voltage exceeds specified output voltage and will auto recover after the fault mode is removed. • Over Current Protection: Hiccup mode. Protection will trigger when load current exceeds specified output current and will auto recover after the fault mode is removed. • Short Circuit Protection: Hiccup mode. Protection will trigger when short circuited and will auto recover after the fault mode is removed. • Over Temperature Protection: Protection will trigger when driver overheat and auto-recovery when cooled down.

PRODUCT SPECIFICATIONS

Catalog Number	Max. Output Power	Output Current	Output Voltage	OCV	Typical Efficiency at 120V	Typical Efficiency at 240V	Typical Efficiency at 277V	Remote Mounting Distance (#22 AWG)	Class 2	
									US	Canada
KTLD-40-UV-690-VDIM-L2	40W	690mA	29-58V	65V	86%	87%	87%	54 ft	✓	
KTLD-40-UV-700-VDIM-L2	40W	700mA	29-57V	64V	86%	87%	87%	53 ft	✓	
KTLD-40-UV-800-VDIM-L2	40W	800mA	25-50V	57V	86%	87%	87%	46 ft	✓	
KTLD-40-UV-850-VDIM-L2	40W	850mA	24-47V	54V	86%	87%	87%	41 ft	✓	
KTLD-40-UV-900-VDIM-L2	40W	900mA	22-44V	50V	86%	87%	87%	37 ft	✓	
KTLD-40-UV-1000-VDIM-L2	40W	1000mA	20-40V	46V	85%	86%	86%	34 ft	✓	✓
KTLD-40-UV-1100-VDIM-L2	40W	1100mA	18-36V	42V	85%	86%	86%	31 ft	✓	✓
KTLD-40-UV-1200-VDIM-L2	40W	1200mA	17-33V	39V	85%	86%	86%	28 ft	✓	✓
KTLD-40-UV-1300-VDIM-L2	40W	1300mA	15-31V	37V	85%	86%	86%	26 ft	✓	✓
KTLD-40-UV-1400-VDIM-L2	40W	1400mA	14-29V	34V	84%	85%	85%	24 ft	✓	✓
KTLD-40-UV-1500-VDIM-L2	40W	1500mA	13-27V	32V	84%	85%	85%	23 ft	✓	✓
KTLD-40-UV-1600-VDIM-L2	40W	1600mA	13-25V	30V	84%	85%	85%	23 ft	✓	✓
KTLD-40-UV-1670-VDIM-L2	40W	1670mA	12-24V	29V	84%	85%	85%	22 ft	✓	✓



KTLD-40-UV-XXX-VDIM-L2

CONSTANT CURRENT LED DRIVER

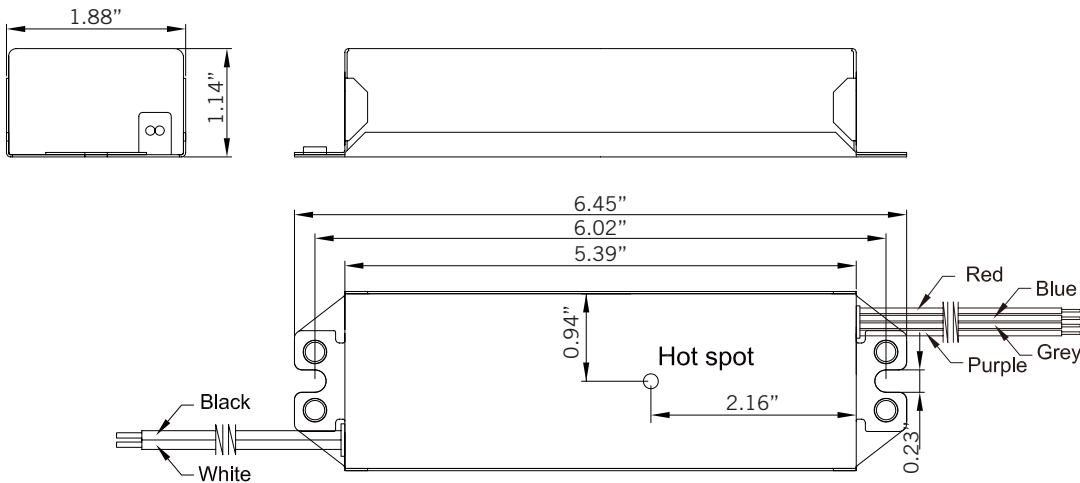
ENVIRONMENTAL SPECIFICATIONS

Operating Temperature	-40 to 60°C
Storage Temperature	-40 to 85°C
Humidity	5% to 95%
MTBF	440,000 hours at 40°C ambient (~70°C Case temp)
Life Rating	76,000 hours at 120Vac input, 100% load and 60°C case temperature
Maximum Case Temperature	90°C

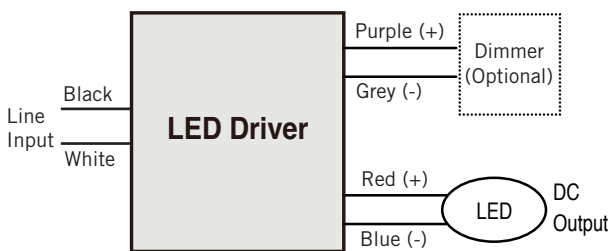
SAFETY AND EMC COMPLIANCE

UL/cUL	UL 8750, Class P, Type HL
CE	EN61347-1, EN61347-2-13
FCC, 47CFR Part 15	ANSI C63.4:2009 Class B (Consumer Limit)
EN61000-3-2	Harmonic Current Emissions Class C

PHYSICAL SPECIFICATIONS



WIRING DIAGRAM



WIRING SPECIFICATIONS

INPUT	12", UL 1316 #18AWG (Black and White)
OUTPUT	12", UL 1316/1430 #22AWG (with Class 2 output) (Red and Blue)

ORDERING INFORMATION

ORDER CODE	PACKAGING STYLE	PACK QTY.	ITEM STATUS
KTLD-40-UV-XXX-VDIM-L2-CP	Carton Pack	TBD	Quick Ship

CATALOG NUMBER BREAKDOWN

KTLD-40-UV-XXX-VDIM-L2-CP

Keystone Technologies LED Driver	Max. Output Wattage	120-277V Input	Output Current	0-10V Dimming	Case Style	Packaging Style
----------------------------------	---------------------	----------------	----------------	---------------	------------	-----------------