



KTLD-50-UV-XXX-AR2

CONSTANT CURRENT LED DRIVER



DESCRIPTION

LED Driver | 50W | 120–277V Input | 900–2100mA Output

TOTAL POWER: 50W	OUTPUT CURRENT: 900–2100mA
INPUT VOLTAGE: 120~277Vac ±10%	DIMMING: Fixed output
INPUT FREQUENCY: 50/60 Hz	WARRANTY: 5 Years

ELECTRICAL SPECIFICATIONS

Input Voltage Range	120~277Vac ±10%
Frequency	50/60 Hz
Power Factor	>0.9 under 120~277Vac input with 80~100% load condition (for all output currents)
Inrush Current	20A @230V
Max. Input Current	0.52A @120V, 0.28A @240V, and 0.24A @277V
THD	<20% under 120~277Vac input with 80~100% load condition (for all output currents)
Load Regulation	± 2%
Line Regulation	± 1%
Output Tolerance	± 5% at full load condition
Turn-On Delay Time	<0.75 seconds at full load condition
Overshoot	<10% at full load condition
No Load Power Consumption	<2W
Ripple and Noise (pk-pk)	<10%
Withstand Voltage	Input to output, 2800Vdc, 2mA
Leakage Current	Maximum 0.5mA at 277Vac, 60Hz input
Protection	<ul style="list-style-type: none"> • Over Voltage Protection: Hiccup mode. Protection will trigger when load voltage exceeds specified output voltage and will auto recover after the fault mode is removed. • Over Current Protection: Hiccup mode. Protection will trigger when load current exceeds specified output current and will auto recover after the fault mode is removed. • Short Circuit Protection: Hiccup mode. Protection will trigger when short circuit and will auto recover after the fault mode is removed. • Over Temperature Protection: Protection will trigger when driver overheat and auto-recover when cooled down.

PRODUCT SPECIFICATIONS

Catalog Number	Max. Output Power	Output Current	Output Voltage	OCV	Typical Efficiency at 120V	Typical Efficiency at 240V	Typical Efficiency at 277V	Remote Mounting Distance (#18 AWG)	Class 2	
									US	Canada
KTLD-50-UV-900-AR2	50W	900mA	28–56V	60V	85%	85%	84%	16 ft	✓	
KTLD-50-UV-1000-AR2	50W	1000mA	25–50V	54V	85%	85%	84%	14 ft	✓	
KTLD-50-UV-1050-AR2	50W	1050mA	24–48V	52V	85%	85%	84%	14 ft	✓	
KTLD-50-UV-1100-AR2	50W	1100mA	23–45V	49V	85%	85%	84%	13 ft	✓	
KTLD-50-UV-1200-AR2	50W	1200mA	21–42V	46V	85%	85%	84%	12 ft	✓	
KTLD-50-UV-1300-AR2	50W	1300mA	19–38V	42V	85%	85%	84%	11 ft	✓	
KTLD-50-UV-1400-AR2	50W	1400mA	18–36V	40V	85%	85%	84%	10 ft	✓	✓
KTLD-50-UV-1450-AR2	50W	1450mA	17–34V	39V	84%	84%	83%	10 ft	✓	✓
KTLD-50-UV-1500-AR2	50W	1500mA	17–33V	37V	84%	84%	83%	9 ft	✓	✓
KTLD-50-UV-1600-AR2	50W	1600mA	16–31V	35V	84%	84%	83%	9 ft	✓	✓
KTLD-50-UV-1700-AR2	50W	1700mA	15–29V	33V	84%	84%	83%	8 ft	✓	✓
KTLD-50-UV-1800-AR2	50W	1800mA	14–28V	32V	84%	84%	83%	8 ft	✓	✓
KTLD-50-UV-1900-AR2	50W	1900mA	13–26V	30V	84%	84%	83%	7 ft	✓	✓
KTLD-50-UV-2000-AR2	50W	2000mA	13–25V	29V	84%	84%	83%	7 ft	✓	✓
KTLD-50-UV-2100-AR2	50W	2100mA	12–24V	28V	84%	86%	83%	7 ft	✓	✓



KTLD-50-UV-XXX-AR2

CONSTANT CURRENT LED DRIVER

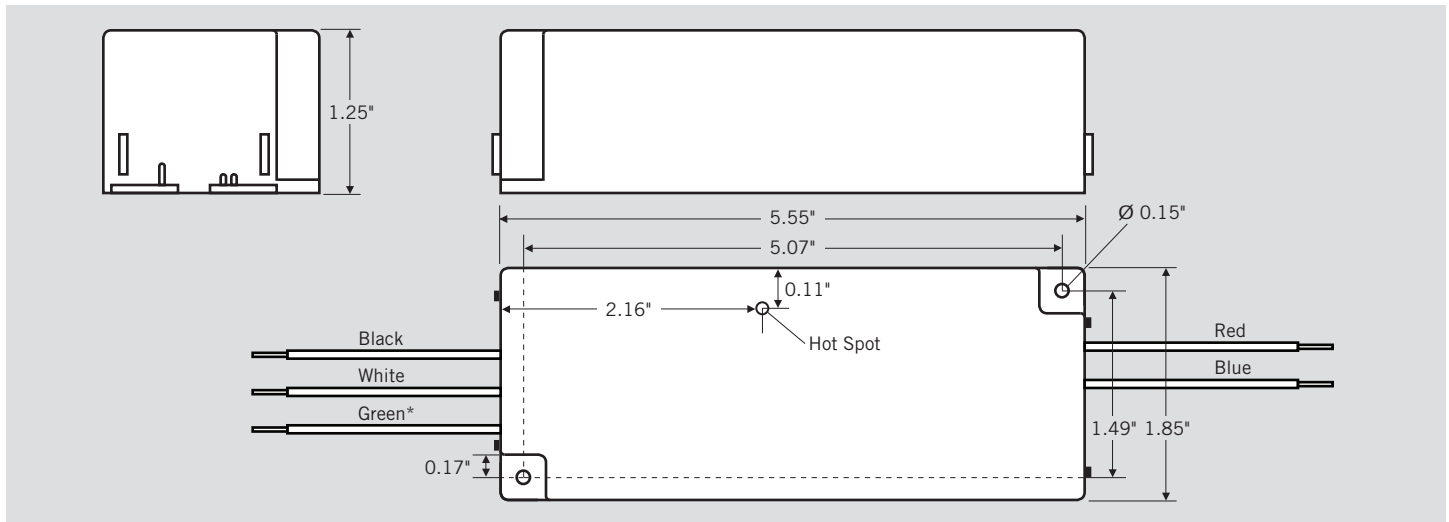
ENVIRONMENTAL SPECIFICATIONS

Operating temperature	-40°C/-40°F to 60°C/140°F
Storage temperature	-40°C/-40°F to 85°C/185°F
Humidity	5% to 95%
MTBF	235,000 hours at 40°C/104°F ambient (~70°C/~158°F case temp)
Life rating	85,000 hours at 120Vac input, 100% load and 60°C/140°F case temp
Maximum case temperature	90°C/194°F

SAFETY AND EMC COMPLIANCE

UL/cUL	UL 8750, Type HL
CE	EN61347-1, EN61347-2-13
FCC, 47CFR Part 15	ANSI C63.4:2009 Class B (consumer limit)
EN61000-3-2	Harmonic current emissions Class C

PHYSICAL SPECIFICATIONS

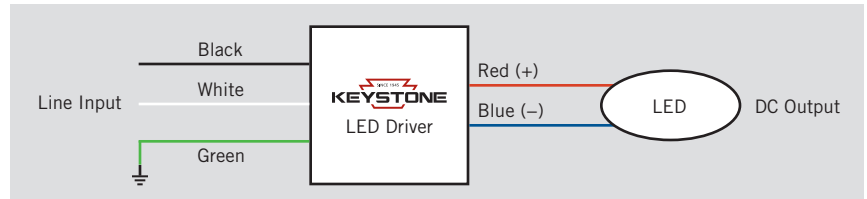


*Only present on the 1450mA model

WIRING SPECIFICATIONS

Input	Black, White, Green: 12", UL1569 #18AWG
Output	Red, Blue: 12", UL1430 #18AWG

WIRING DIAGRAM



ORDERING INFORMATION

ORDER CODE	PACKAGING STYLE	PACK QUANTITY	ITEM STATUS
KTLD-50-UV-XXX-AR2	Carton Pack	TBD	Quick Ship

CATALOG NUMBER BREAKDOWN

KTLD-50-UV-XXX-AR2-CP

1 2 3 4 5 6

- 1 Keystone Technologies LED Driver
- 2 Max. Output Wattage
- 3 120–277V Input
- 4 Max. Output Current
- 5 Case Style
- 6 Packaging Style