



KTLD-60-UV-24V

CONSTANT VOLTAGE LED DRIVER

Version A4

DESCRIPTION

LED Driver | 60W Load | 24V Constant Voltage Output | 120–277V Input



DRIVER TYPE: Constant Voltage LED Driver

MAX. POWER: 60W

INPUT VOLTAGE: 120–277Vac $\pm 10\%$

OUTPUT VOLTAGE: 24Vdc

DIMMING: Fixed Output

WARRANTY: 5 Years

PRODUCT FEATURES

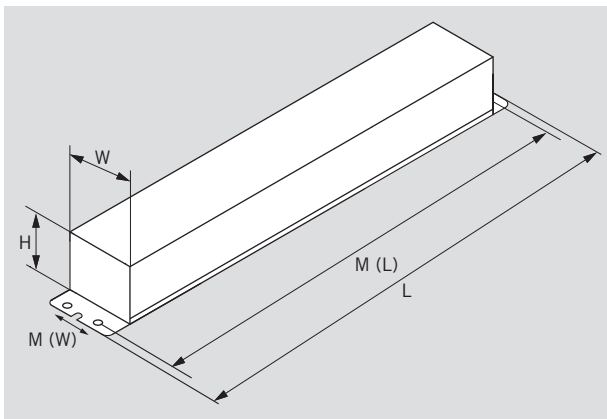
- Meets FCC Part 15 Class A (Non-consumer limit)
- Over current and short circuit protection
- Type 1 Outdoor, suitable for dry and damp locations
- UL Listed, Class P
- Class 2 output
- 85°C/185°F maximum case temperature
- Input frequency: 50/60 Hz

ELECTRICAL SPECIFICATIONS

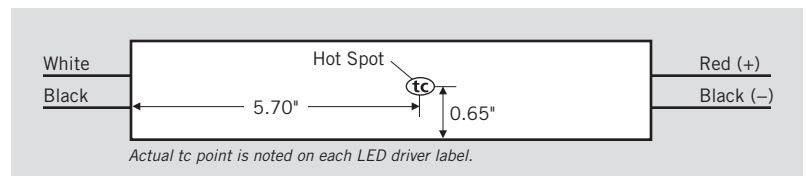
Family	INPUT CHARACTERISTICS				OUTPUT CHARACTERISTICS				FEATURES
	Input Voltage	Input Power	Power Factor	Max. Current	Max. Output Power	Max. Current	Min. Current	Output Voltage	Efficiency
60W	120–277Vac	74W	>0.9	0.62A@120V	60W	2.5A	0A	24Vdc	88% @ 277V

MECHANICAL SPECIFICATIONS

CASE DIMENSIONS



HOT SPOT LOCATION



LENGTH (L)	9.50"	MOUNTING M (L)	9.00"	CASE STYLE	L30
WIDTH (W)	1.30"	MOUNTING M (W)	0.87"		
HEIGHT (H)	1.00"	CASE MATERIAL	Steel		

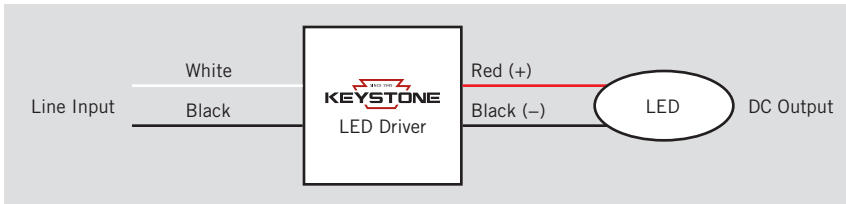


KTLD-60-UV-24V

CONSTANT VOLTAGE LED DRIVER

Version A4

WIRING DIAGRAM



STANDARD LEAD LENGTHS*

Input	Black	9.00"
	White	9.00"
Output	Black	13.00"
	Red	13.00"

Lead wires are 18 AWG 105 C/600V, solid copper.

*Consult Keystone for special lead length requirements.

ORDERING INFORMATION

Order Code	Packaging Style	Pack Quantity	Item Status
KTLD-60-UV-24V-CP	Carton Pack	Pending	Active

CATALOG NUMBER BREAKDOWN

KTLD-60-UV-24V-CP

1

2

3

4

5

- 1 Keystone Technologies LED Driver
- 2 Maximum Power Wattage
- 3 Universal Input (120–277V)
- 4 24V Rated Constant Output Voltage
- 5 Packaging Style