



<b>KTLD-72-UV-4xXXX-VDIM-L5</b>
Constant current LED driver
Total power: 72W
Input voltage: 120~277Vac ± 10%
Number of outputs: Four
UL 8750
IP20 design for dry and damp location
Dimmable with 0-10V dimmer
5 year warranty

ELECTRICAL SPECIFICATIONS:		ENVIRONMENTAL SPECIFICATIONS:	
Input voltage range:	120~277Vac ± 10%	Operating temperature:	-30 to 50°C
Frequency:	50/60Hz	Storage temperature:	-40 to 85°C
Power factor:	>0.9 @full load, 120V through 277V	Humidity:	5% to 95%
Inrush current:	20A @230V	MTBF:	( ) hours at 40°C ambient (~70°C Case temp)
Max input current:	0.80A @120V and 0.37A @ 277V	Maximum case Temperature	80°C
THD:	<20%		
Protection:	Over voltage, Over current and Short circuit		
Withstand voltage	I/P – O/P 2k Vac		

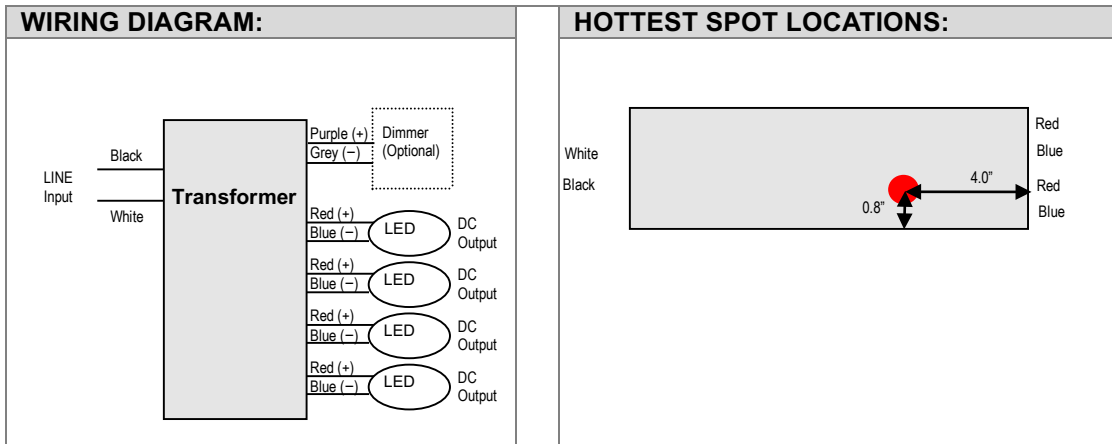
PRODUCT SPECIFICATIONS:							
Model Number	Max output power	Output Current	Output Voltage	Efficiency	Remote mounting distance (#18 AWG)	Class 2	
						US	Canada
KTLD-72-UV-4x290-VDIM-L5	18W x4	290mA	31 – 62V	82%	132 ft	√	
KTLD-72-UV-4x300-VDIM-L5	18W x4	300mA	30 – 60V	82%	128 ft	√	
KTLD-72-UV-4x400-VDIM-L5	18W x4	400mA	23 – 45V	82%	96 ft	√	
KTLD-72-UV-4x500-VDIM-L5	18W x4	500mA	18 – 36V	82%	76 ft	√	√
KTLD-72-UV-4x600-VDIM-L5	18W x4	600mA	15 – 30V	82%	64 ft	√	√
KTLD-72-UV-4x700-VDIM-L5	18W x4	700mA	13 – 26V	82%	54 ft	√	√
KTLD-72-UV-4x750-VDIM-L5	18W x4	750mA	12 – 24V	82%	51 ft	√	√
KTLD-72-UV-4x800-VDIM-L5	18W x4	800mA	12 – 23V	82%	48 ft	√	√
KTLD-72-UV-4x900-VDIM-L5	18W x4	900mA	12 – 20V	82%	42 ft	√	√

SAFETY AND EMC COMPLIANCE:	
UL/cUL	UL 8750
FCC, 47CFR Part 15	Class A Consumer Limit
EN61000-3-2	

PHYSICAL DIMENSIONS:	
Length (L):	9.50"
Width (W):	1.70"
Height (H):	1.15"
Mounting (M):	8.90"
Weight:	0.50 kg

Keystone Technologies • 1390 Welsh Road, North Wales, PA 19454  
 Phone (800) 464-2680 • Fax (888) 966-0556 • [www.keystoneballast.com](http://www.keystoneballast.com)

WIRE SPECIFICATIONS:	
Input:	12", UL 1316 #18AWG (Black and White)
Output:	12", UL 1316/1430 #22AWG (Red and Blue)
Dimming:	12" UL 1316/1430 #22AWG (Purple and Grey)



LIFETIME / CASE TEMP:
<p><b>To be provided</b></p>