



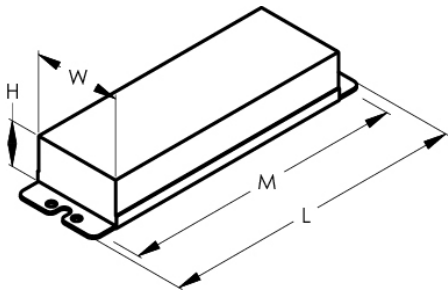
KTLD-75-UV-1400-VDIM-L5
Constant current LED driver
Total power: 75W
Input voltage: 120~277Vac ± 10%
Number of outputs: One
UL 8750 ; Type TL
IP20 design for dry and damp location
Dimmable with 0-10V dimmer
5 year warranty

ELECTRICAL SPECIFICATIONS:		ENVIRONMENTAL SPECIFICATIONS:	
Input voltage range:	120~277Vac ± 10%	Operating temperature:	-30 to 60°C
Frequency:	50/60Hz	Storage temperature:	-40 to 85°C
Power factor:	>0.9 @full load, 120V through 277V	Humidity:	5% to 95%
Inrush current:	20A @230V	MTBF:	() hours at 40°C ambient (~70°C Case temp)
Max input current:	0.75A @120V and 0.35A @ 277V	Maximum case Temperature	90°C
THD:	<20%		
Protection:	Short circuit, over current and over temperature		
Withstand voltage	I/P – O/P 2k Vac		

PRODUCT SPECIFICATIONS:							
Model Number	Max output power	Output Current	Output Voltage	Efficiency	Remote mounting distance (#18 AWG)	Class 2	
						US	Canada
KTLD-75-UV-1400-VDIM-L5	75W	1400mA	27 - 54V	86%	27 ft	√	

SAFETY AND EMC COMPLIANCE:	
UL/cUL	UL8750 ; Type TL
FCC, 47CFR Part 15	Class B Consumer Limit
EN61000-3-2	

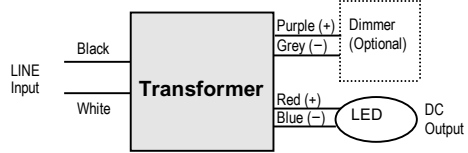
PHYSICAL DIMENSIONS:	
Length (L):	9.50"
Width (W):	1.70"
Height (H):	1.15"
Mounting (M):	8.90"
Weight:	0.55 kg



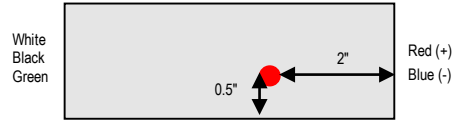
WIRE SPECIFICATIONS:	
Input:	12", UL 1316 #18AWG (Black and White)
Output:	12", UL 1316 #18AWG (Red and Blue)
Dimming:	12", UL 1316/1430 #22AWG (Purple and Grey)

Keystone Technologies • 1390 Welsh Road, North Wales, PA 19454
 Phone (800) 464-2680 • Fax (888) 966-0556 • www.keystoneballast.com

WIRING DIAGRAM:



HOTTEST SPOT LOCATIONS:



LIFETIME / CASE TEMP:

To be provided