



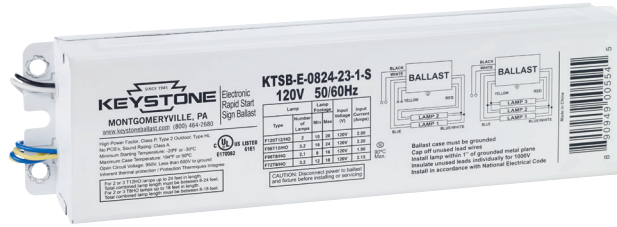
KTSE-E-0824-23-1-S

SMARTWIRE™ ELECTRONIC SIGN BALLAST



DESCRIPTION

2-3 Lamps | T8HO or T12HO | 8'-24' Combined Lamp Length | Series Wiring



STARTING METHOD: Rapid Start **INPUT VOLTAGE:** 120VAC ±10% **LAMP CONNECTION:** Series **INPUT FREQUENCY:** 60 Hz

PRODUCT FEATURES

- Sound Rated: A
- Minimum Starting Temperature: -20°F, -30°C
- Maximum Case Temperature: 194°F, 90°C
- Meets FCC Part 18 (Class A) Non-Consumer Limits
- UL, cUL 935 Listed, Class P, Type 2 Outdoor, Type HL
- Open Circuit Voltage: 993V

ELECTRICAL SPECIFICATIONS FOR COMMON CONFIGURATIONS*

Lamp Type	No. of Lamps	Input Volts	Input Watts	Input Current (Amps)	Power Factor	Crest Factor
F96T12/HO, 110W	3	120	256	2.20	>0.90	<1.70
F96T12/HO, 110W	2	120	192	1.65	>0.90	<1.70
F120T12/HO, 135W	2	120	233	2.00	>0.90	<1.70
F96T8/HO, 86W	2	120	221	1.90	>0.90	<1.70
F72T8/HO, 65W	3	120	250	2.15	>0.90	<1.70
F72T8/HO, 65W	2	120	186	1.60	>0.90	<1.70

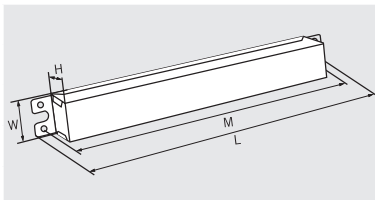
*Consult factory for additional sign configurations.

LAMP FOOTAGE

Lamp Type	Minimum	Maximum
T12HO	8'	24'
T8HO	8'	18'

MECHANICAL SPECIFICATIONS

CASE DIMENSIONS



LENGTH	11.73"
WIDTH	3.09"
HEIGHT	1.83"
MOUNTING	11.07"
CASE STYLE	L32

STANDARD LEAD LENGTHS*

WHITE	24"
BLACK	24"
RED	60"
BLUE	60"
YELLOW	60"
BLUE/WHITE	60"

Lead wires are 18 AWG 105°C/600V, solid copper.

CASE MATERIAL: Metal

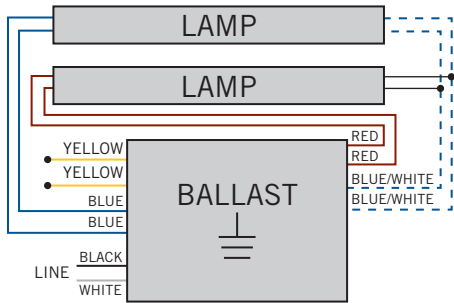
*Consult Keystone for special lead length requirements.

FOR INSTALLATION PURPOSES

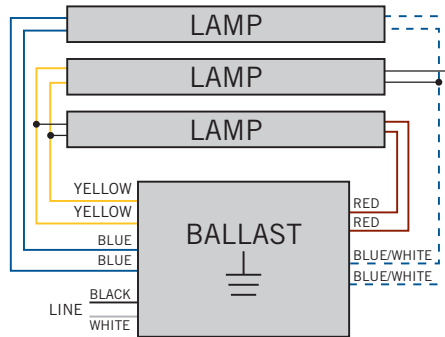
Ballast can drive 2 or 3 T12HO lamps in any combination from 8'-24'.

Ballast can drive 2 or 3 T8HO lamps in any combination from 8'-18'.

WIRING DIAGRAMS

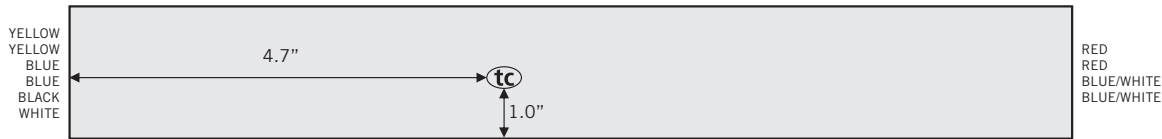


Two Lamp Application, Cap Off
Unused Leads Individually



Three Lamp Application

HOT SPOT LOCATION



Actual tc point is noted on each ballast label.

ORDERING INFORMATION

ORDER CODE	PACKAGING STYLE	PACK QTY.	ITEM STATUS
KTSB-E-0824-23-1-S-IP	Individually Packaged	1	Quick Ship

CATALOG NUMBER BREAKDOWN

KTSB-E-0824-23-1-S-IP



*Minimum and maximum total lamp length based on T12HO lamps.