



# MH-400A-P-KIT 3/1

## 400W METAL HALIDE BALLAST KIT



### DESCRIPTION

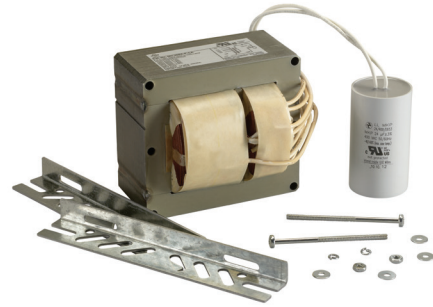
400W Metal Halide Ballast Kit | 5 Tap

**LAMP TYPE:** 400W Standard Metal Halide (M59 or H33)

**INPUT VOLTAGE:** 5 Tap (120/208/240/277/480)

**CIRCUIT TYPE:** CWA (without Ignitor)

**WARRANTY:** 2 Years



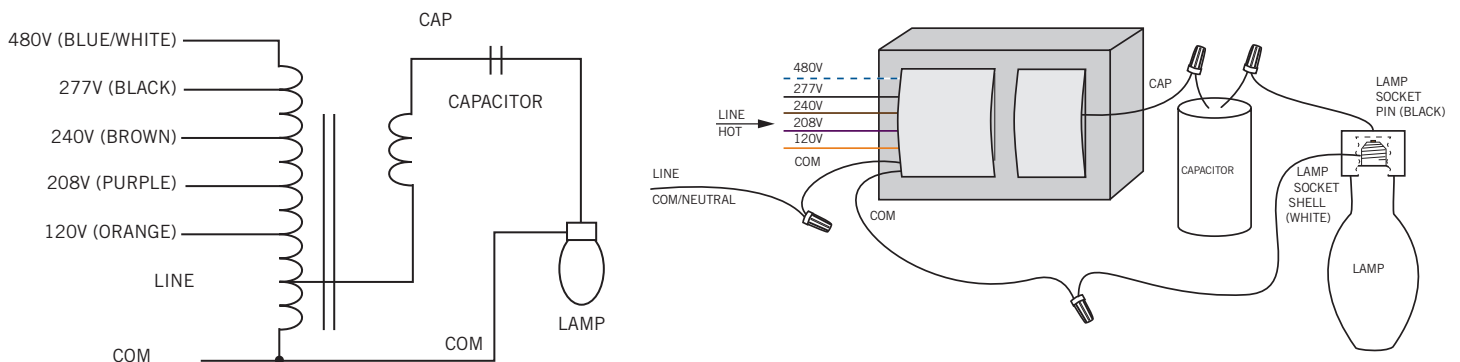
### PRODUCT FEATURES

- ANSI Designation: M59 or H33
- Line Voltage: 120/208/240/277/480
- Regulation: 10%
- Frequency: 60 Hz
- Recommended Fuse (A): 10/8/5/5/5
- Circuit Type: CWA (without Ignitor)
- Insulation Class: 180°C
- Capacitor Value: 24  $\mu$ F
- Capacitor Voltage Rating: 400 V
- Capacitor Temperature Rating: 90°C
- Winding Materials: Copper/Aluminum
- Lamp Starter: N/A
- Agency Certification: RU, cRU
- Maximum Distance to Lamp: N/A

### ELECTRICAL SPECIFICATIONS

Line Voltage	Power Factor	Line Current			Input Power	Open Circuit Voltage	Minimum Start Temperature	UL Temp. Code
		Operating	Open	Start				
120V	High	3.74mA	4.10mA	3.00mA	457W	308V	-30°C/-22°F	E
208V	High	2.23mA	2.47mA	2.84mA	457W	308V	-30°C/-22°F	E
240V	High	1.93mA	2.10mA	2.10mA	457W	308V	-30°C/-22°F	E
277V	High	1.64mA	1.84mA	1.37mA	457W	308V	-30°C/-22°F	E
480V	High	0.97mA	1.07mA	0.85mA	457W	308V	-30°C/-22°F	E

### WIRING DIAGRAM



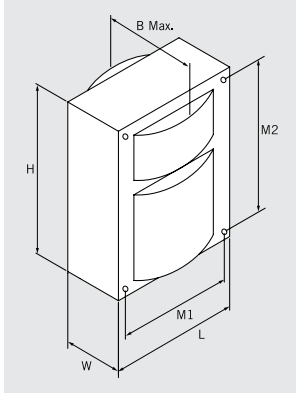


# MH-400A-P-KIT 3/1

## 400W METAL HALIDE BALLAST KIT

### PHYSICAL SPECIFICATIONS

#### CASE STYLE

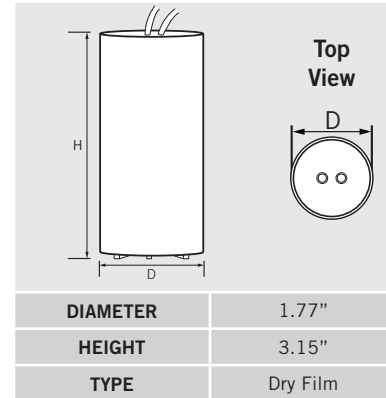


OVERALL DIMENSIONS			
LENGTH	WIDTH	HEIGHT	B MAX.
4.25"	2.15"	4.75"	4.20"

MOUNTING HOLES		
DIAMETER	M1	M2
0.25"	3.87"	4.37"

BRACKET DIMENSIONS		BALLAST NET WEIGHT	LEAD LENGTH
LENGTH	WIDTH		
7.25"	1.11"	11.70 lbs	12-14"

#### CAPACITOR SPECIFICATIONS



DIAMETER	1.77"
HEIGHT	3.15"
TYPE	Dry Film

### ORDERING INFORMATION

Order Code	Packaging Style	Package Quantity	Item Status
MH-400A-P-KIT 3/1	Kit	1	Quick Ship

Kit includes pre-wired ballast, capacitor, mounting brackets, and mounting hardware

### CATALOG NUMBER BREAKDOWN

MH-400A-P-KIT				
Metal Halide	Wattage	CWA Circuit	5 Tap	Ballast Kit