



# KT-EMRG-LED-12C-1200-EN /DF

## CONSTANT WATTAGE LED EMERGENCY BACK-UP

### DESCRIPTION

LED Emergency Back-Up Driver | Dual Flex Conduit | 12W Output | 120–277V Input



**DRIVER TYPE:** Constant Wattage LED Emergency

**MAX. OUTPUT POWER:** 12W

**INPUT VOLTAGE:** 120–277Vac  $\pm 10\%$

**OUTPUT VOLTAGE:** 20–54Vdc

**OUTPUT CURRENT:** 600–250mA

**SAFETY STANDARD:** UL 924, Complies with CEC Title 20 Efficiency Standards

**WARRANTY:** 5 Years



### ELECTRICAL SPECIFICATIONS

Input voltage range	120–277Vac $\pm 10\%$
Frequency	50/60Hz
Power factor	>0.9 under 120–277Vac input
Inrush current	20A @ 120V
Max input current	50mA @120V, 35mA @240V, and 30mA @277V
THD	<20% under 120–277Vac input
Output voltage	20–60Vdc Class 2 compliant
Output current	600mA @ 20Vdc, 206mA @ 58Vdc
Output power	12W (constant)
Turn-on Delay Time	< 1s
Overshoot	< 10%
Ripple & Noise (pk-pk)	< 10%
Withstand voltage	Input to output, 2800Vdc, 2mA
Leakage current	Maximum 0.5mA at 277Vac, 60Hz input
Protection	<p><b>Over voltage protection:</b> Hiccup mode. Protection will trigger when load voltage exceeds specified output voltage and will auto recover after the fault mode is removed.</p> <p><b>Over current protection:</b> Hiccup mode. Protection will trigger when load current exceeds specified output current and will auto recover after the fault mode is removed.</p> <p><b>Short circuit protection:</b> Hiccup mode. Protection will trigger when short circuit and will auto recover after the fault mode is removed.</p>
Emergency Operation	90 minutes
Battery	High-temperature, maintenance-free, LiFePO <sub>4</sub> battery, 9.6Vdc, 3 cell
Recharge Time	24 hours
Battery Charging Current	307mA

### ENVIRONMENTAL SPECIFICATIONS

Operating temperature	0°C/32°F to 55°C/131°F
Storage temperature	–20°C/–4°F to 55°C/131°F
Humidity	5% to 95%
MTBF	TBD
Life rating	TBD
Maximum ambient temperature	55°C/131°F for battery

### SAFETY AND EMC COMPLIANCE

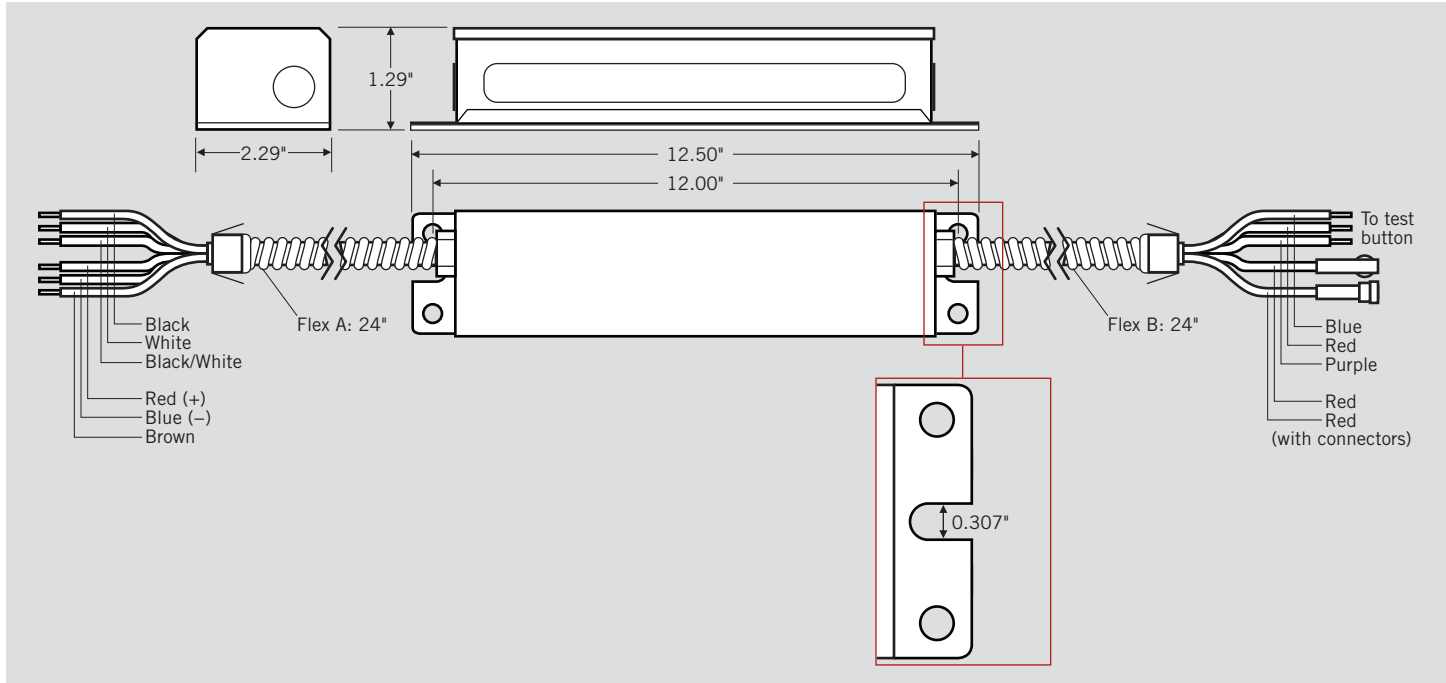
UL/cUL	UL 924
FCC, 47CFR Part 15	ANSI C63.4:2009 Class B (consumer limit)
EN61000-3-2	Harmonic current emissions Class C



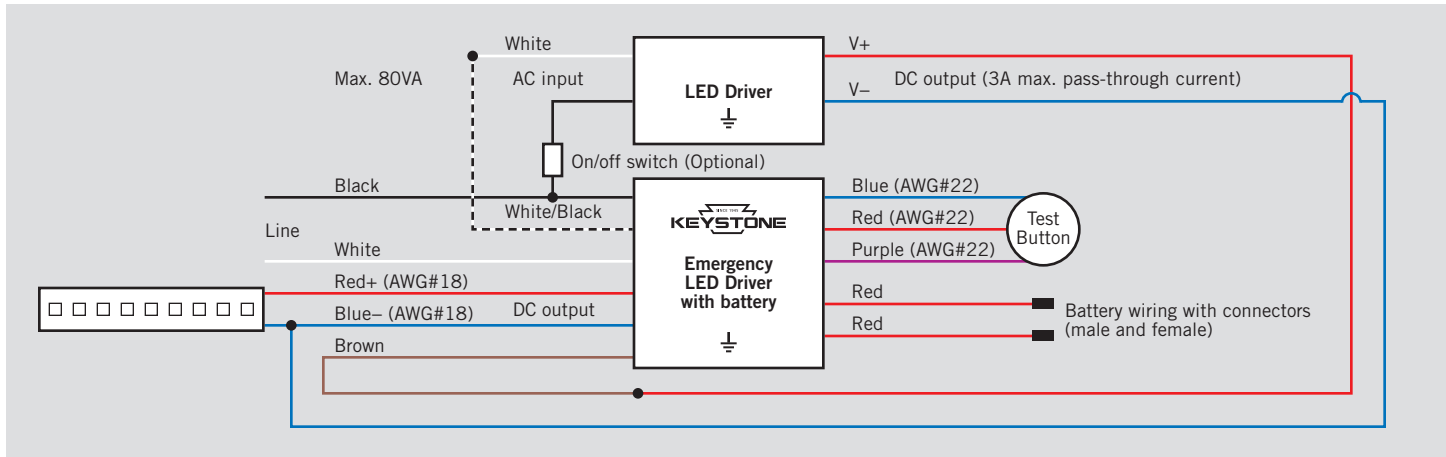
# KT-EMRG-LED-12C-1200-EN /DF

## CONSTANT WATTAGE LED EMERGENCY BACK-UP

### PHYSICAL SPECIFICATIONS



### WIRING SPECIFICATIONS





# KT-EMRG-LED-12C-1200-EN /DF

## CONSTANT WATTAGE LED EMERGENCY BACK-UP

### ORDERING INFORMATION

ORDER CODE	DESCRIPTION	PACKAGING STYLE	PACK QUANTITY	ITEM STATUS
KT-EMRG-LED-12C-1200-EN /DF-IP	1-Piece LED Emergency Back-up with Dual Flex Conduit	Individually Packaged	1	Active

### ALTERNATIVE OPTIONS

ORDER CODE	DESCRIPTION	PACKAGING STYLE	PACK QUANTITY	ITEM STATUS
KT-EMRG-LED-12C-1200-EN /RJSF-IP	1-Piece LED Emergency Back-up with Rear Junction Leads and Single Flex Conduit (Flex B)	Individually Packaged	1	Active
KT-EMRG-LED-12C-1200-EN-IP	1-Piece LED Emergency Back-up with Standard Wire Leads	Individually Packaged	1	Active

### CATALOG NUMBER BREAKDOWN

# KT-EMRG-LED-12C-1200-EN /DF-IP

1 2 3 4 5 6 7 8

- 1 Keystone Technologies
- 2 Emergency Back-up Driver
- 3 LED Driver
- 4 Wattage Family (CEC Compliant)
- 5 Nominal Lumen Output
- 6 1-Piece Enclosure
- 7 Dual Flex Conduit
- 8 Packaging Style