



KT-EMRG-LED-12C-1200

CONSTANT POWER EMERGENCY LED DRIVER

DESCRIPTION

Constant Power Emergency LED Driver | 12W Output | 120–277V Input

DRIVER TYPE: Constant Power Emergency LED Driver
MAX. OUTPUT POWER: 12W
INPUT VOLTAGE: 120–277Vac $\pm 10\%$
NUMBER OF OUTPUTS: One
SAFETY STANDARD: UL 924, Complies with CEC Title 20 Efficiency Standards
LOCATION: IP20 design for dry and damp location
WARRANTY: 5 Years
PASS-THROUGH CURRENT: 3A max



ELECTRICAL SPECIFICATIONS

Input voltage range	120–277Vac $\pm 10\%$
Frequency	50/60Hz
Power factor	>0.9 under 120–277Vac input
Inrush current	TBD
Max input current	50mA @120V, 35mA @240V, and 30mA @277V
THD	<20% under 120–277Vac input
Output voltage	20–60Vdc Class 2 compliant Remarks: the output power is valid for output voltage $\leq 58V$; above that power will drop
Output current	600mA @ 20Vdc, 206mA @ 58Vdc
Output power	12W (constant)
Turn-on Delay Time	<1s
Overshoot	<10%
Ripple & Noise (pk–pk)	<10%
Withstand voltage	Input to output, 2800Vdc, 2mA
Leakage current	Maximum 0.5mA at 277Vac, 60Hz input
Protection	<p>Over voltage protection: Hiccup mode. Protection will trigger when load voltage exceeds specified output voltage and will auto recover after the fault mode is removed.</p> <p>Over current protection: Hiccup mode. Protection will trigger when load current exceeds specified output current and will auto recover after the fault mode is removed.</p> <p>Short circuit protection: Hiccup mode. Protection will trigger when short circuit and will auto recover after the fault mode is removed.</p> <p>Over temperature protection: Protection will trigger when driver overheats and auto-recovery when cooled down.</p>
Emergency Operation	90 minutes
Battery	High-temperature, maintenance-free, LiFePO ₄ battery, 9.6Vdc, 3 cell
Recharge Time	24 hours
Battery Charging Current	307mA

KT-EMRG-LED-12C-1200

CONSTANT POWER EMERGENCY LED DRIVER

ENVIRONMENTAL SPECIFICATIONS

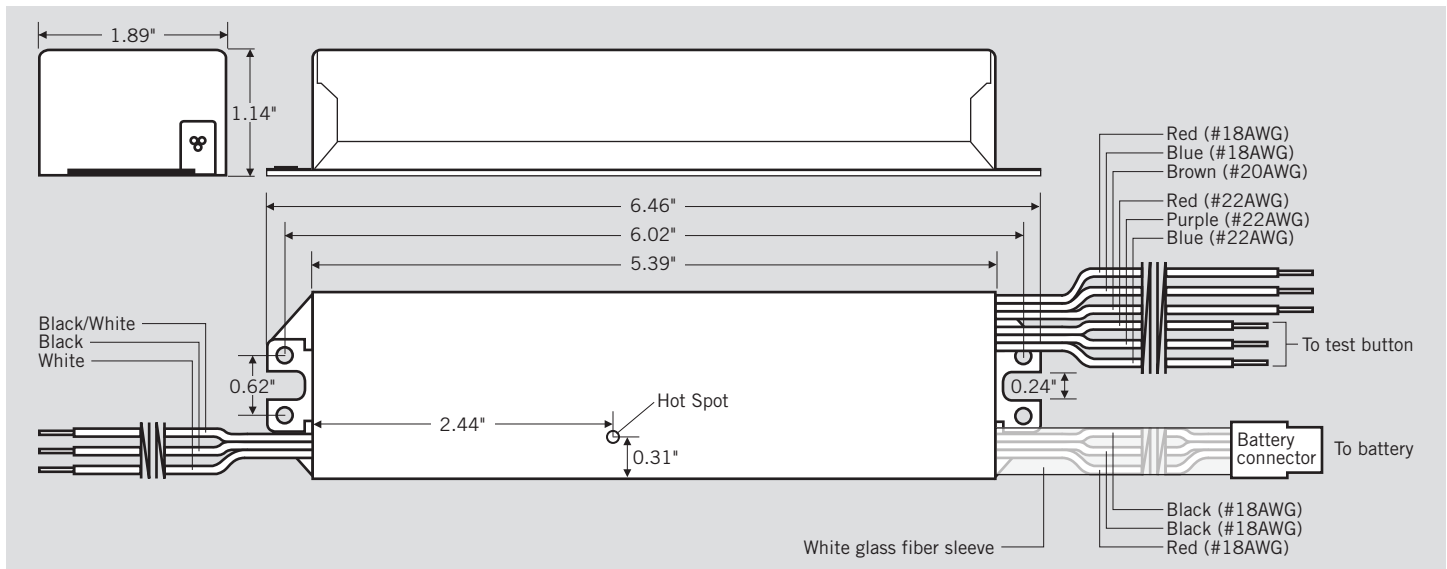
Operating temperature	0°C/32°F to 55°C/131°F
Storage temperature	-20°C/-4°F to 55°C/131°F
Humidity	5% to 95%
MTBF	TBD
Life rating	TBD
Maximum case temperature	75°C/167°F for LED driver
Maximum ambient temperature	55°C/131°F for battery

SAFETY AND EMC COMPLIANCE

UL/cUL	UL 924
FCC, 47CFR Part 15	ANSI C63.4:2009 Class B (consumer limit)
EN61000-3-2	Harmonic current emissions Class C

DIMENSIONS AND WIRING SPECIFICATIONS

EMERGENCY LED DRIVER SPECIFICATIONS



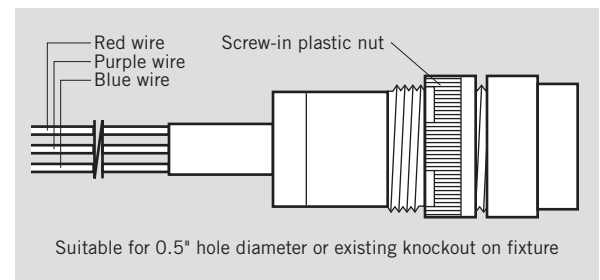
LED DRIVER DIMENSIONS

Length (L)	6.46" (164mm)
Width (W)	1.89" (48mm)
Height (H)	1.14" (29mm)
Mounting (M)	6.02" (153mm)

WIRE SPECIFICATIONS

Input		Black, White, Black/White	12", UL1316 #18AWG
Output	To LED module	Red, Blue	24", UL1316 #18AWG
	To LED driver	Brown	24", UL1430 #20AWG
	To battery connector	Red, Black	24", UL1015 #18AWG
	To test button	Red, Blue, Purple	24", UL1430 #22AWG

TEST SWITCH (3-WIRE) SPECIFICATIONS

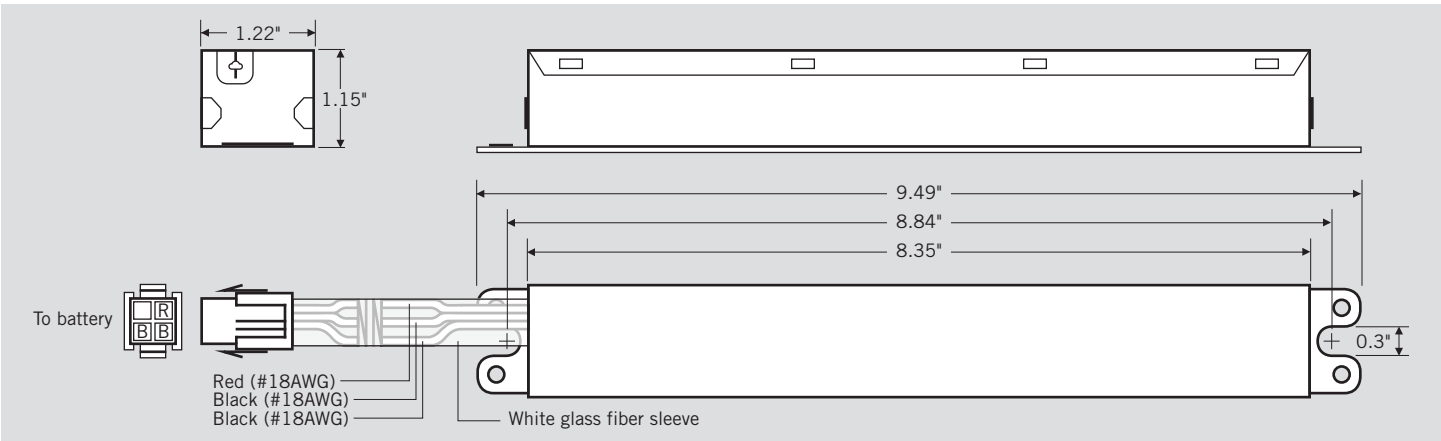




KT-EMRG-LED-12C-1200

CONSTANT POWER EMERGENCY LED DRIVER

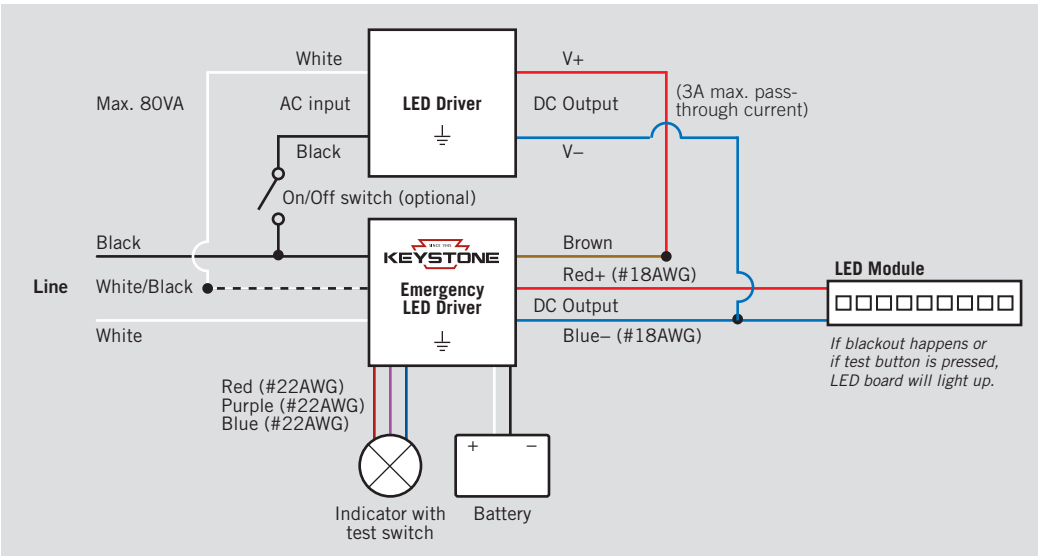
BATTERY PACK SPECIFICATIONS



BATTERY PACK DIMENSIONS

Length (L)	9.49" (241.6mm)
Width (W)	1.22" (31.1mm)
Height (H)	1.15" (29.2mm)
Mounting (M)	8.84" (224.5mm)

WIRING DIAGRAM

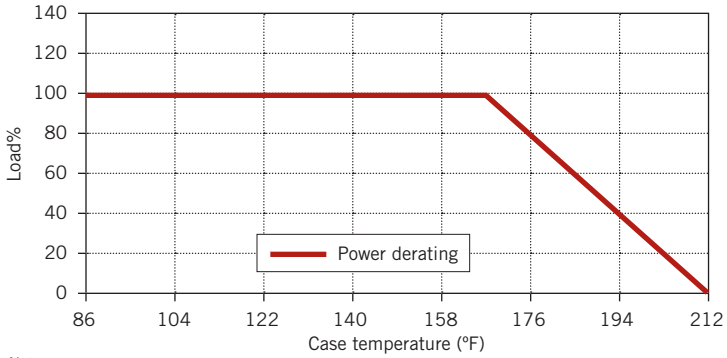




KT-EMRG-LED-12C-1200

CONSTANT POWER EMERGENCY LED DRIVER

POWER DERATING VS CASE TEMPERATURE



Notes:
 1. To maintain good battery lifespan during storage, recharging emergency LED driver annually is recommended.
 2. For operation, wiring, and installation please refer to installation instruction.

ORDERING INFORMATION

ORDER CODE	DESCRIPTION	PACKAGING STYLE	PACK QTY.	ITEM STATUS
KT-EMRG-LED-12C-1200-IP	Constant Power Emergency LED Driver	Individually Packaged	TBD	Active

CATALOG NUMBER BREAKDOWN

KT-EMRG-LED-12C-1200-IP

1
2
3
4
5
6
7

- 1 Keystone Technologies
- 2 Emergency Back-Up
- 3 LED Driver
- 4 Nominal Wattage
- 5 CEC Compliant
- 6 Nominal Lumen Output
- 7 Packaging Style