



# KT-RHLED-SM-3-KIT

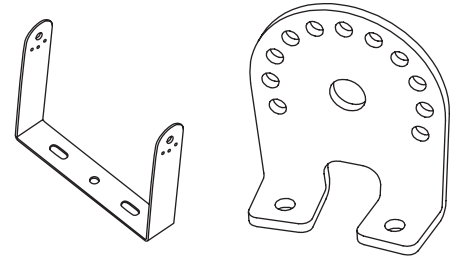
## STEEL SURFACE MOUNT KIT

### DESCRIPTION

Steel Surface Mount Kit | Includes Mounting Hardware

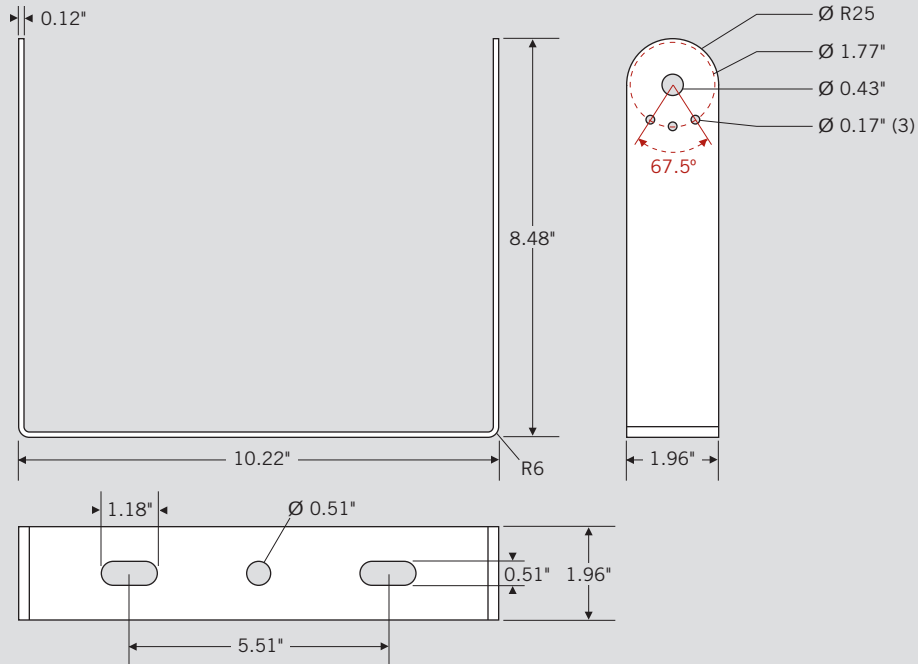
### APPLICATIONS

For use with 200W Round High Bay Fixture and 135W High Temp Round High Bay Fixture

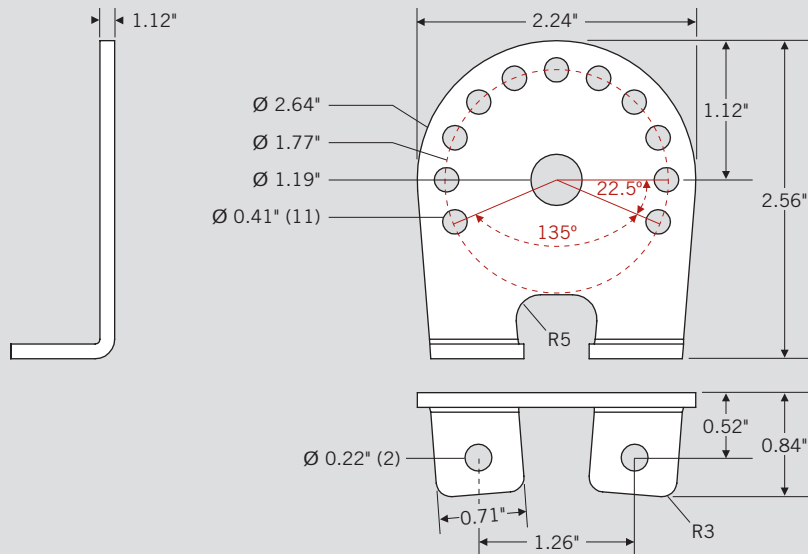


### PHYSICAL SPECIFICATIONS

**BRACKET A (x1)**



**BRACKET B (x2)**

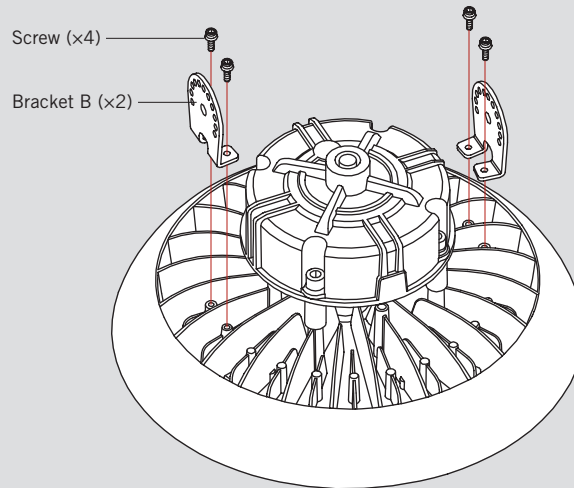


# KT-RHLED-SM-3-KIT

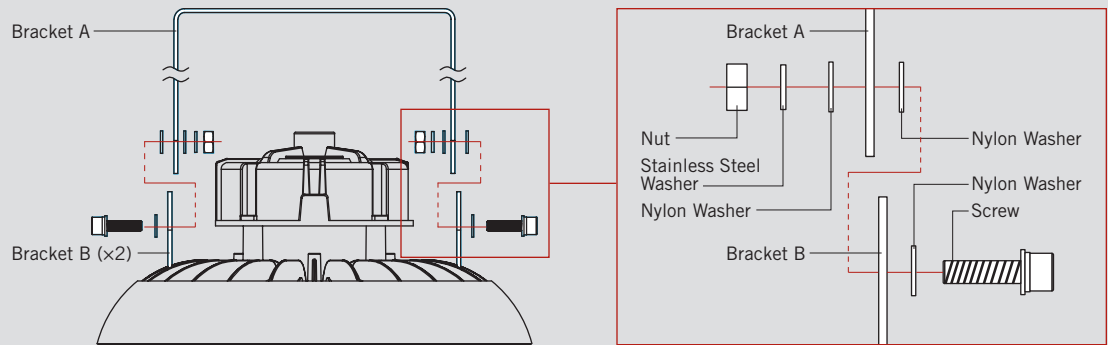
## STEEL SURFACE MOUNT KIT

### INSTALLING MOUNTING BRACKETS

1. Attach two brackets B to the lamp using 4 screws provided.



2. Attach bracket A to both brackets B using mounting hardware provided.



3. Adjust the angle of bracket A and then affix to each bracket B using mounting hardware provided.

